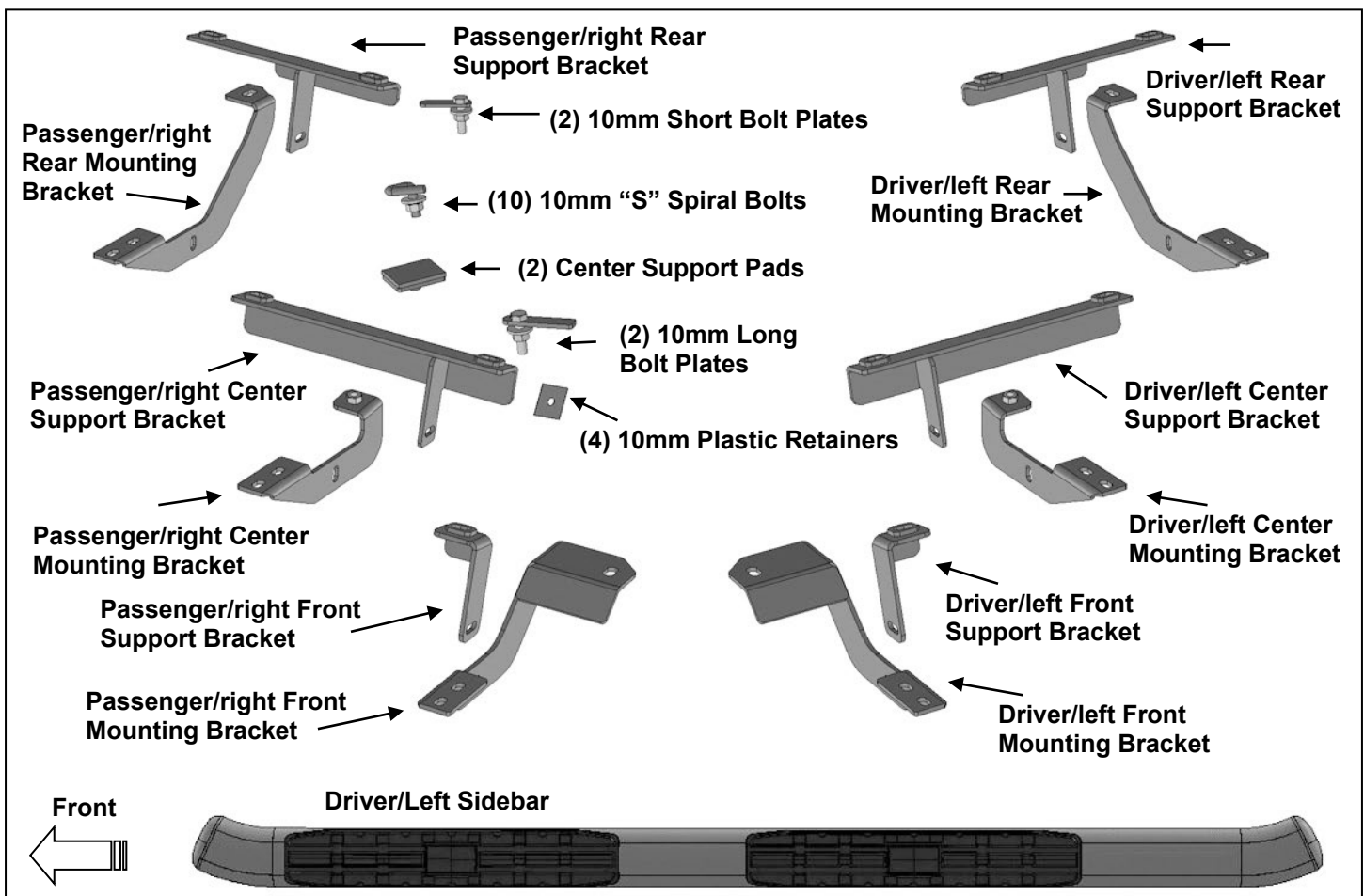


ENTHUZE SIDEBAR 2022 FORD MAVERICK

PARTS LIST:

1	Driver/Left Sidebar	10	10mm "S" Spiral Bolts
1	Passenger/Right Sidebar	2	10mm x 40mm Long Bolt Plates (front use)
1	Driver/Left Front Sidebar Bracket	2	10mm x 40mm Short Bolt Plates (rear use)
1	Passenger/Right Front Sidebar Bracket	4	10mm Plastic Retainers
1	Driver/Left Front Support Bracket	2	10-1.5mm x 80mm Hex Bolts
1	Passenger/Right Front Support Bracket	14	10mm x 27mm x 3mm Flat Washers
1	Driver/Left Center Sidebar Bracket	2	10mm x 20mm x 2mm Flat Washers
1	Passenger/Right Center Sidebar Bracket	16	10mm Lock Washers
1	Driver/Left Center Support Bracket	16	10mm Hex Nuts
1	Passenger/Right Center Support Bracket	12	8-1.25mm x 25mm Combo Bolts
1	Driver/Left Rear Sidebar Bracket	6	8-1.25mm x 25mm Hex Bolts
1	Passenger/Right Rear Sidebar Bracket	12	8mm x 24mm x 2mm Flat Washers
1	Driver/Left Rear Support Bracket	6	8mm Lock Washers
1	Passenger/Right Rear Support Bracket	6	8mm Hex Nuts
2	Center Support Pads		



PROCEDURE:

- REMOVE CONTENTS FROM BOX. VERIFY ALL PARTS ARE PRESENT. READ INSTRUCTIONS CAREFULLY BEFORE STARTING INSTALLATION. CUTTING IS REQUIRED.**
- Starting from under the passenger/right side of the vehicle, locate the rectangular clips attaching the plastic rocker cover to the bottom of the body. Remove the second clip back from the front wheel opening, (**Figure 1s & 2**). Select (1) "S" Spiral Bolt. Insert the unthreaded end of the Bolt into the hole

- in the rocker panel, **(Figure 3)**. Select the passenger/right front Support Bracket. Attach the Support Bracket to the "S" Bolt with (1) 10mm Flat Washer, (1) 10mm Lock Washer and (1) 10mm Hex Nut, **(Figure 4)**. Snug but do not fully tighten hardware.
3. Hold the passenger/right front Mounting Bracket up to the bottom of the body, **(Figure 5)**. Line up the outer hole in the Bracket with the hole in the Support Bracket. Line up the inner end of the Mounting Bracket with the oval hole in the floor. Use a marker or masking tape to trace the outline of the Mounting Bracket onto the plastic cover, **(Figure 6)**.
 4. Move to the center mounting location below where the front and rear doors meet, **(Figure 7)**. Remove the (2) rectangular plastic clips. Insert (2) "S" Bolts into the holes. Attach the passenger/right Center Support Bracket to the "S" Bolts with (2) 10mm Flat Washers, (2) 10mm Lock Washers and (2) 10mm Hex Nuts, **(Figure 8)**. Snug but do not fully tighten hardware.
 5. Select (1) 10mm x 80mm Hex Bolt, (1) 10mm Hex Nut, (1) 10mm Lock Washer and (1) 10mm Small Flat Washer, **(Figure 9)**. Thread the Hex Nut onto the Long Bolt. Slide the Lock Washer then the Flat Washer onto the Bolt. Thread the Bolt and Washers up and into the inner end on the center Mounting Bracket, **(Figure 9)**. Hold the passenger/right center Mounting Bracket up to the bottom of the body. Line up the outer hole in the Bracket with the hole in the Support Bracket. Place (1) Center Support Pad onto the end of the Hex Bolt, **(Figure 9)**. Use a marker or masking tape to trace the outline of the Support Pad onto the plastic cover, **(Figure 10)**.
 6. Continue along the passenger/right side to the last two clips, **(Figure 11)**. Insert (2) "S" Bolts into the holes. Attach the passenger/right Rear Support Bracket to the "S" Bolts with (2) 10mm Flat Washers, (2) 10mm Lock Washers and (2) 10mm Hex Nuts, **(Figure 12)**.
 7. Hold the passenger/right rear Mounting Bracket up to the bottom of the body. Line up the outer hole in the Bracket with the hole in the Support Bracket. Line up the inner end of the Mounting Bracket with the hole in the floor. Use a marker or masking tape to trace the outline of the Mounting Bracket onto the plastic cover.
 8. Remove the plastic cover from the bottom of the body. Use a hacksaw blade or sharp knife to cut out the marked areas. Once cut, partially reinstall the cover. Leave the front and rear of the cover loose.
 9. Move to the front mounting location. Select the 10mm "Long" Bolt Plate, **(Figure 13)**. Insert the Bolt Plate into the oval hole in the floor, **(Figure 14)**. Thread (1) 10mm Plastic Retainer onto the Bolt Plate to help hold in place. Use is not mandatory for installation. Attach the passenger/right front Mounting Bracket to the Bolt Plate with (1) 10mm Flat Washer, (1) 10mm Lock Washer and (1) 10mm Hex Nut, **(Figure 15)**. Attach the Mounting Bracket to the front facing side of the Support Bracket with the included (1) 8mm x 25mm Hex Bolt, (2) 8mm Flat Washers, (1) 8mm Lock Washer and (1) 8mm Hex Nut, **(Figure 16)**. Do not fully tighten hardware.
 10. Move to the center mounting location. Attach the Center Mounting Bracket to the rear facing side of the Center Support Bracket with the included (1) 8mm x 25mm Hex Bolt, (2) 8mm Flat Washers, (1) 8mm Lock Washer and (1) 8mm Hex Nut, **(Figure 17)**. Tighten or loosen the long 10mm Hex Bolt with Center Support Pad until the Mounting Bracket is close to level and in line with the front and rear Brackets, **(Figure 18)**. Leave hardware loose.
 11. Continue to the rear mounting location. Insert (1) 10mm "Short" Bolt Plate into the square hole and down through the round hole in the floor, **(Figures 19 & 20)**. Thread (1) 10mm Plastic Retainer onto the Bolt Plate to help hold in place. Use is not mandatory for installation. Attach the passenger/right Rear Mounting Bracket to the Bolt Plate with (1) 10mm Flat Washer, (1) 10mm Lock Washer and (1) 10mm Hex Nut, **(Figure 21)**. Attach the Mounting Bracket to the rear facing side of the Support Bracket with the included (1) 8mm x 25mm Hex Bolt, (2) 8mm Flat Washers, (1) 8mm Lock Washer and (1) 8mm Hex Nut, **(Figure 22)**. Do not fully tighten hardware.
 12. Select the passenger/right Sidebar. Carefully position the Sidebar onto the (3) Mounting Brackets, **(Figure 23)**. **IMPORTANT:** Do not slide the Sidebar, (forward or backward or rotate), on the Brackets or damage to the finish on the Sidebar may result.
 13. Attach the Sidebar to the Brackets with the included (6) 8mm Combo Bolts, **(Figure 23)**. Do not tighten hardware. Level and adjust Sidebar on the front and rear Brackets first and tighten hardware.

**ENTHUZE SIDEBAR
2022 FORD MAVERICK**

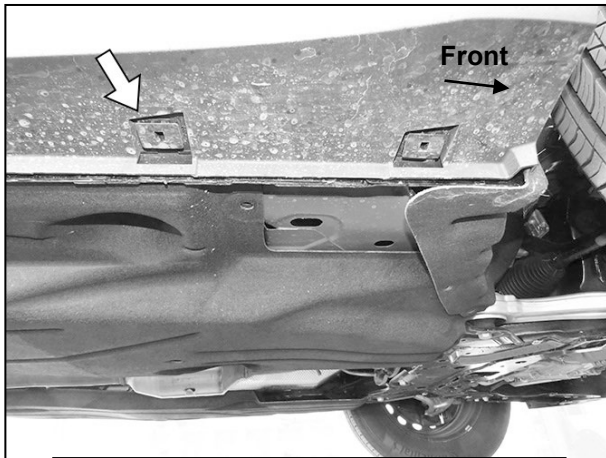
14. Move to the center Mounting Bracket. Thread the 10mm Hex Bolt in or out to adjust the Bracket up to the Side Bar. Once properly adjusted, turn the Hex Bolt in (clockwise) 1/4-1/2 of a turn then tighten the 10mm Hex Nut on the Bolt against the Bracket to lock in place and tighten all hardware, (**Figure 18**).
15. Fully reattach plastic cover to floor.
16. Repeat **Steps 2—15** for driver/left Sidebar installation.
17. Do periodic inspections to the installation to make sure that all hardware is secure and tight.

To protect your investment, wax this product after installing. Regular waxing is recommended to add a protective layer over the finish. Do not use any type of polish or wax that may contain abrasives that could damage the finish.

For stainless steel: Aluminum polish may be used to polish small scratches and scuffs on the finish. Mild soap may be used also to clean the Sidebars.

For gloss black finishes: Mild soap may be used to clean the Sidebars.

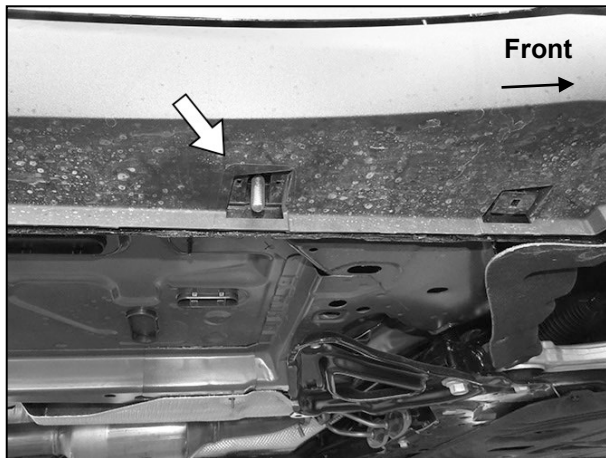
Passenger/right Side Installation Pictured



(Fig 1) Passenger/right front mounting location, remove clip (arrow)

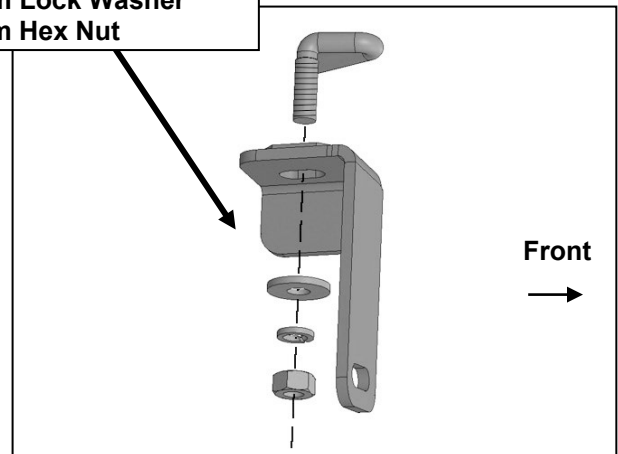


(Fig 2) Passenger/right #2 clip removed



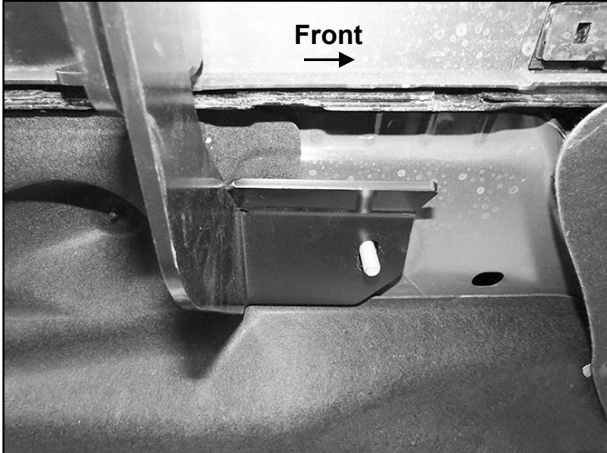
(Fig 3) Insert "S" Spiral Bolt into opening after removing clip (arrow)

10mm Flat Washer
10mm Lock Washer
10mm Hex Nut

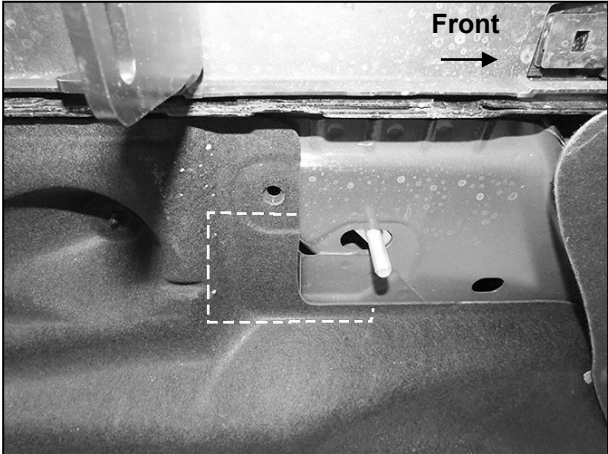


(Fig 4) Attach passenger/right front Support Bracket to "S" Bolt

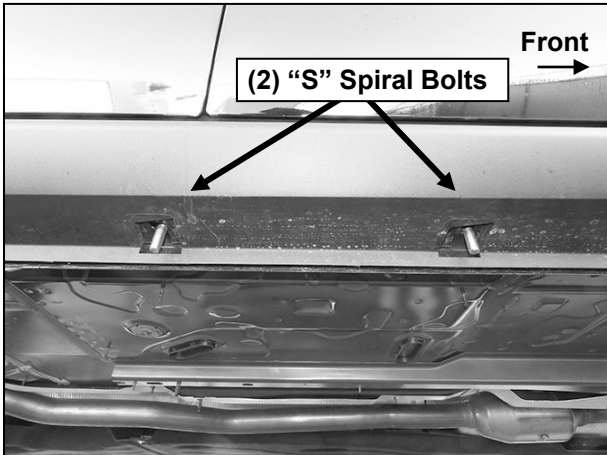
Passenger/right Side Installation Pictured



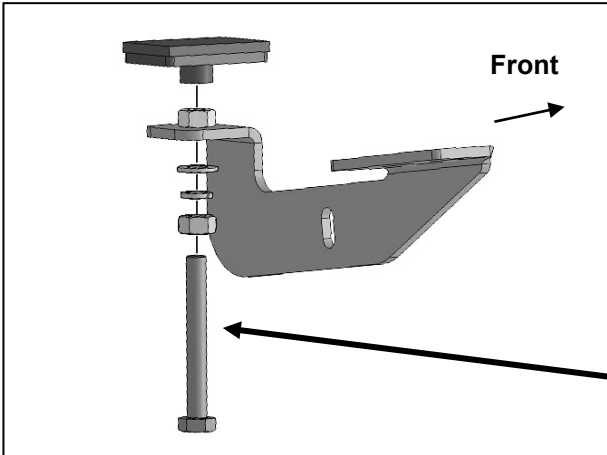
(Fig 5) Hold passenger/right front Bracket in place. Trace outline of Bracket onto cover



(Fig 6) Trace outline of passenger/right front Bracket onto cover



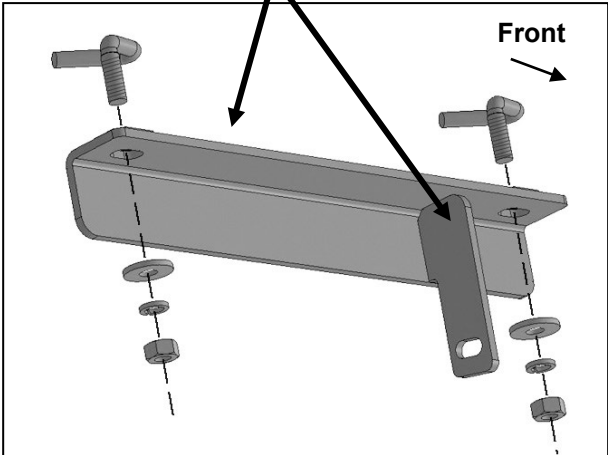
(Fig 7) Passenger/right center mounting location. Remove clips, insert "S" Bolts



(Fig 9) Assemble passenger/right Center Mounting Bracket with Support Pad

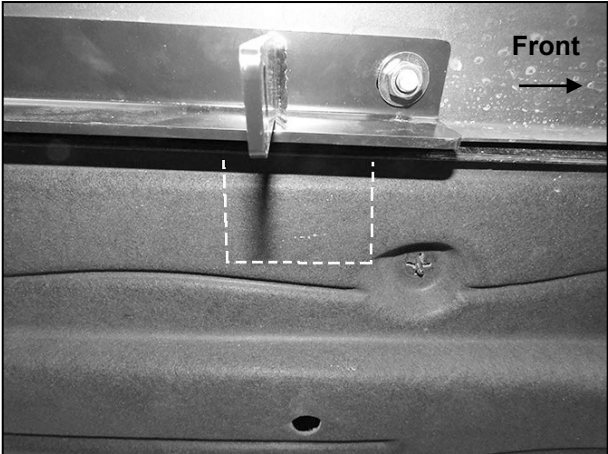
- 10mmx 80mm Hex Bolt
- 10mm Hex Nut
- 10mm Lock Washer
- 10mm Small Flat Washer

- (2) 10mm Flat Washers
- (2) 10mm Lock Washers
- (2) 10mm Hex Nuts

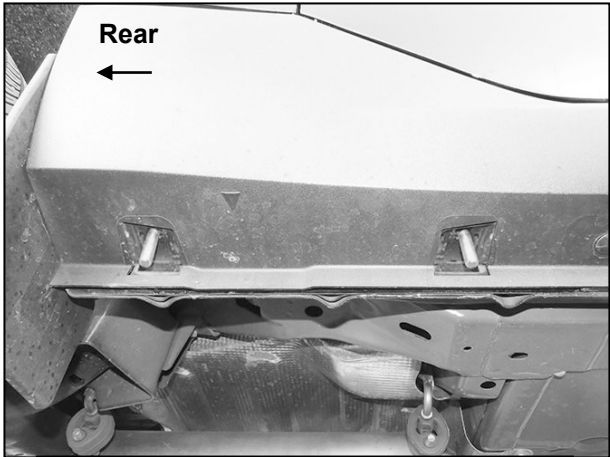


(Fig 8) Attach passenger/right center Support Bracket to "S" Bolts

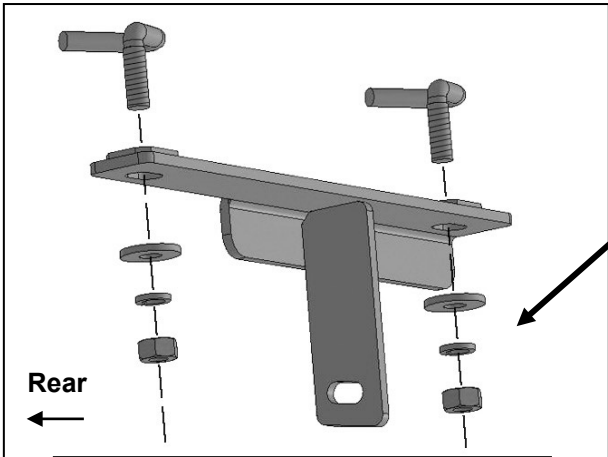
Passenger/right Side Installation Pictured



(Fig 10) Trace outline of passenger/right center Bracket Support Pad onto cover

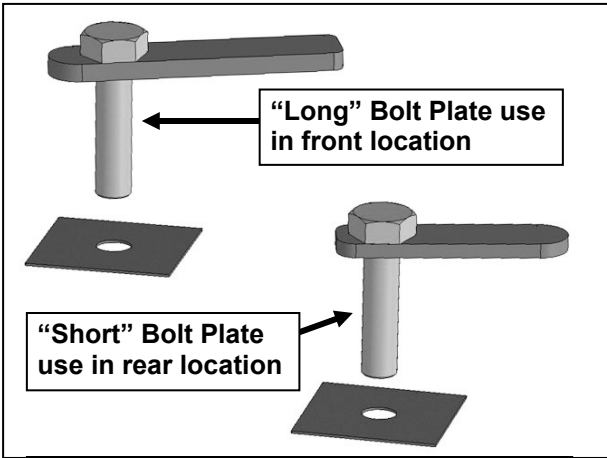


(Fig 11) Passenger/right rear mounting location. Remove clips, insert "S" Bolts



(Fig 12) Attach passenger/right Rear Support Bracket to "S" Bolts

- (2) 10mm Flat Washers
- (2) 10mm Lock Washers
- (2) 10mm Hex Nuts



(Fig 13) Long and Short Bolt Plates with Plastic Retainers (retainer use optional)

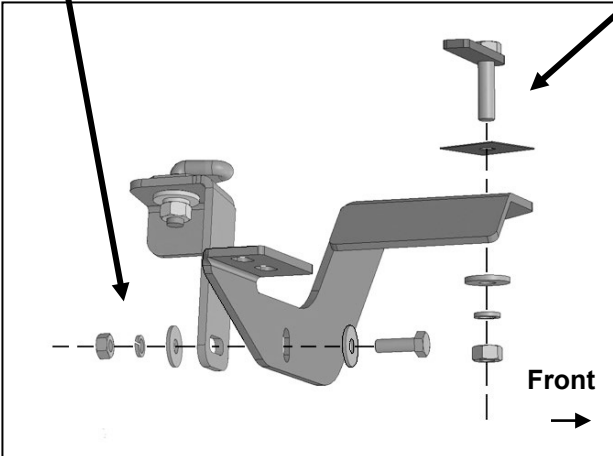


(Fig 14) Insert "Long" Bolt Plate into oval hole in front floor location (arrow)

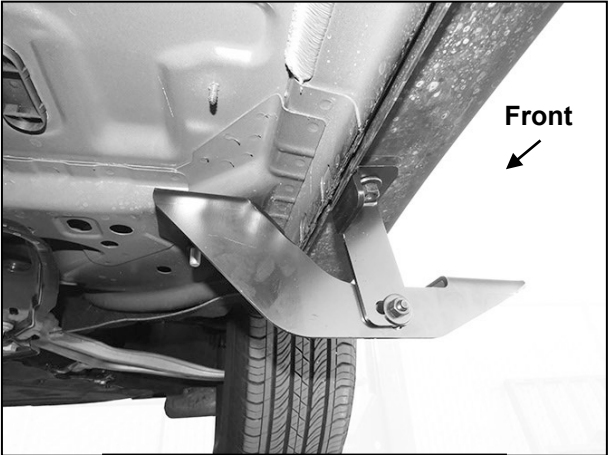
Passenger/right Side Installation Pictured

8mm x 25mm Hex Bolt
(2) 8mm Flat Washers
8mm Lock Washer
8mm Hex Nut

10mm Long Bolt Plate
10mm Plastic Retainer
10mm Flat Washer
10mm Lock Washer
10mm Hex Nut

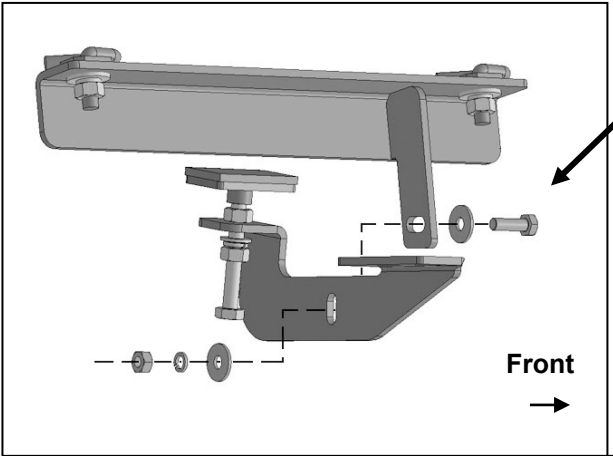


(Fig 15) Attach passenger/right Mounting Bracket to Bolt Plate and front of Support Bracket

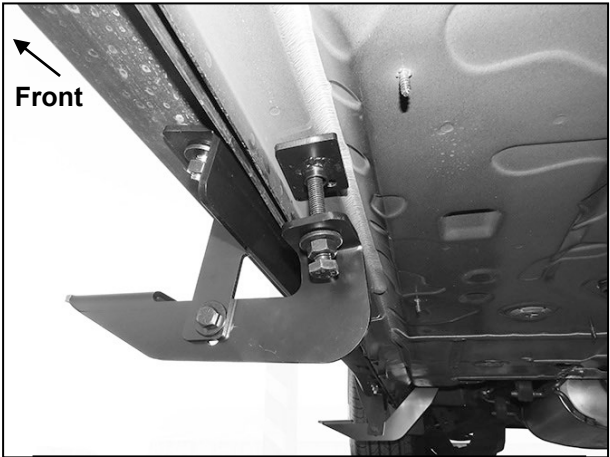


(Fig 16) Passenger/right front Mounting Brackets installed

8mm x 25mm Hex Bolt
(2) 8mm Flat Washers
8mm Lock Washer
8mm Hex Nut

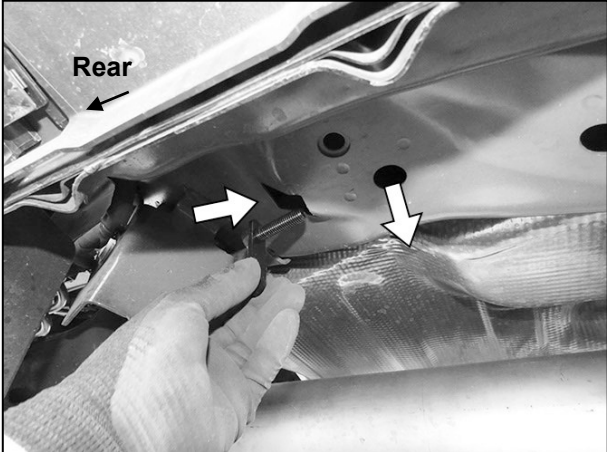


(Fig 17) Attach passenger/right center Mounting Bracket to back of Support Bracket



(Fig 18) Passenger/right center Mounting Bracket and Support Bracket installed

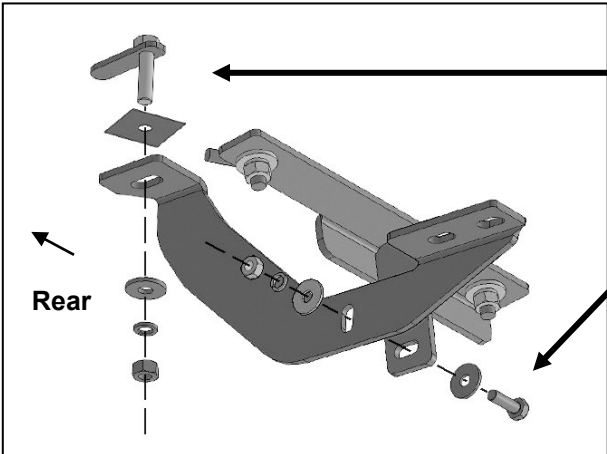
Passenger/right Side Installation Pictured



(Fig 19) Insert "Short" Bolt Plate into square hole and down through floor (arrow)



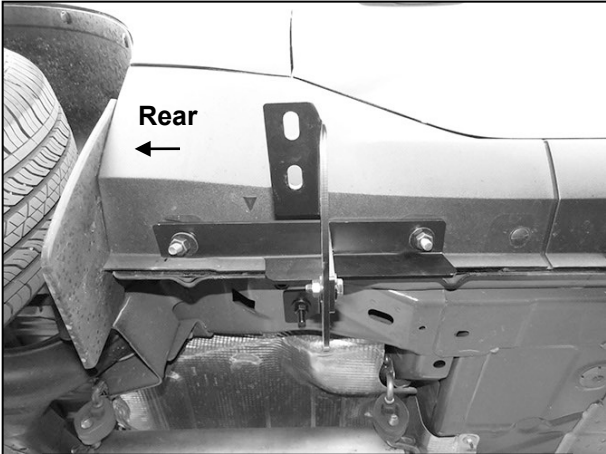
(Fig 20) "Short" Bolt Plate installed (arrow)



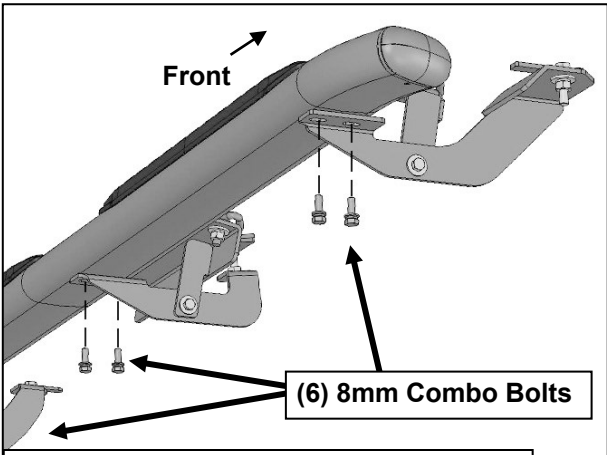
(Fig 21) Attach passenger/right rear Mounting Bracket to Bolt Plate and back of Support Bracket

- 10mm Short Bolt Plate
- 10mm Plastic Retainer
- 10mm Flat Washer
- 10mm Lock Washer
- 10mm Hex Nut

- 8mm x 25mm Hex Bolt
- (2) 8mm Flat Washers
- 8mm Lock Washer
- 8mm Hex Nut



(Fig 22) Passenger/right rear Mounting Bracket and Support Bracket installed



(6) 8mm Combo Bolts

(Fig 23) Attach passenger/right Sidebar to Mounting Brackets