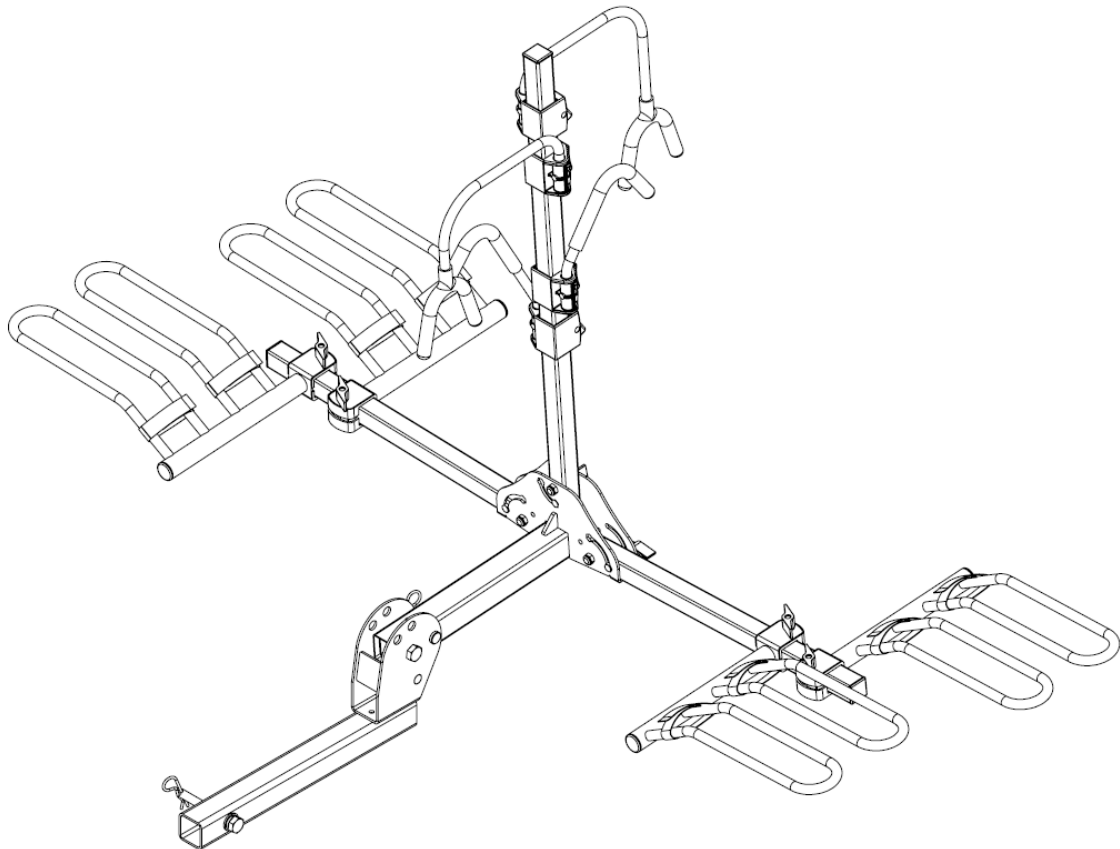


PLATFORM BIKE CARRIER



MAXIMUM LOADING CAPACITY – 160 LBS

Recommended Tools for Assembly:



Open Wrench
(1pc)
Size=17mm

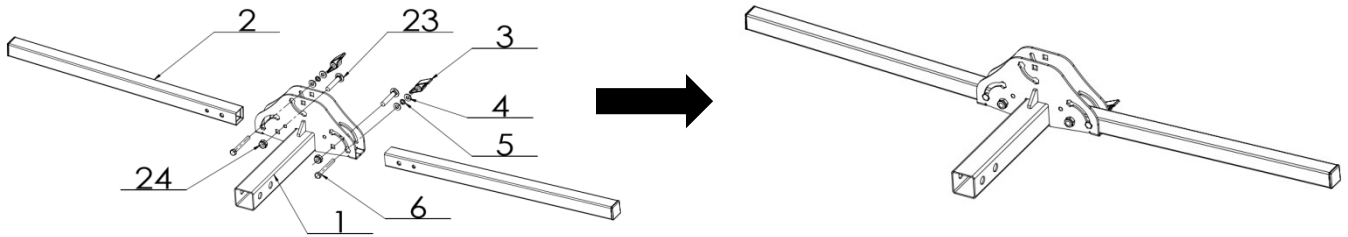


Open Wrench
(2pc)
Size=24mm

Assembly Instructions

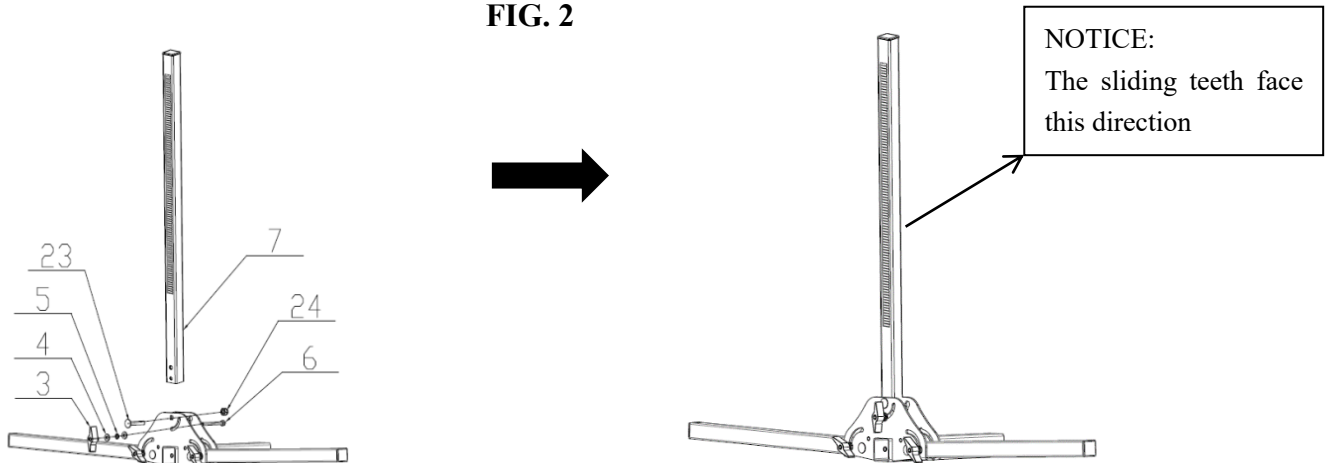
STEP 1 Assemble the primary frame by connecting the Support Base Assembly (part #1) and (2) Horizontal Tubes (part #2) using (2) 5/16" knob, (4) 5/16" flat washer, (2) 5/16" spring washer, (2) 5/16" hexagon bolt, (2) M10 Carriage bolts and (2) M10 Locknuts (parts #3, #4, #5, #6, #23 & #24). See FIG. 1

FIG. 1



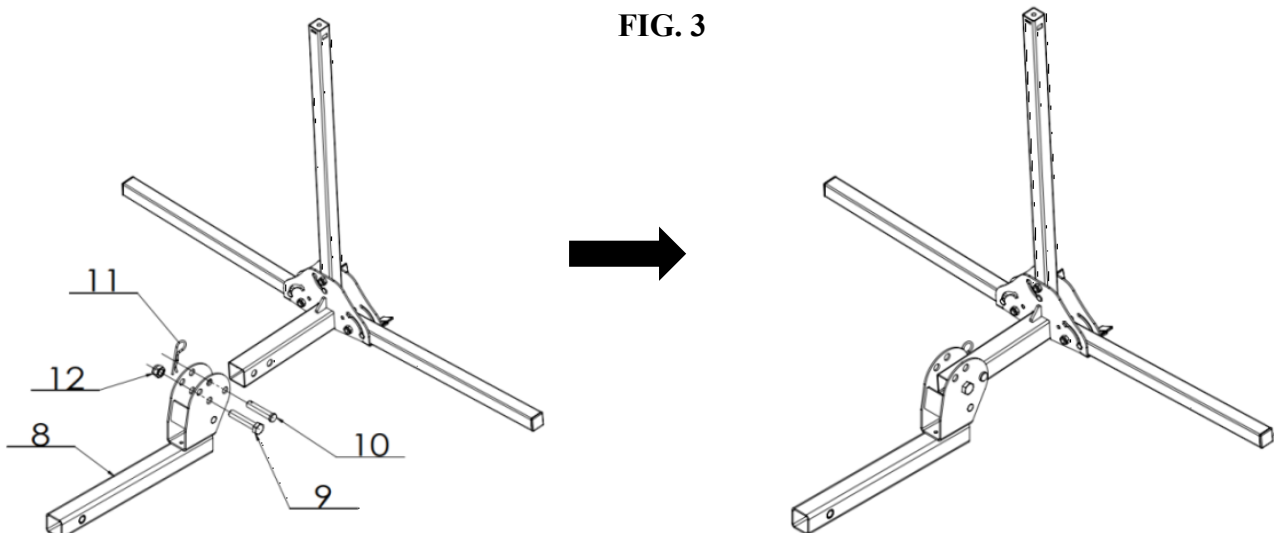
STEP 2 Place Vertical Tube (part #7) into the Support Base Assembly by using M10 Carriage Bolt and M10 Locknut (parts #23 & #24). With the Vertical Tube in a vertical position, insert the 5/16" hexagon bolt (part #6), through the 5/16" flat washer (part #4), the 5/16" spring washer (part #5) and the 5/16" flat washer (part #4), tighten with 5/16" knob (part #3). See FIG. 2

FIG. 2



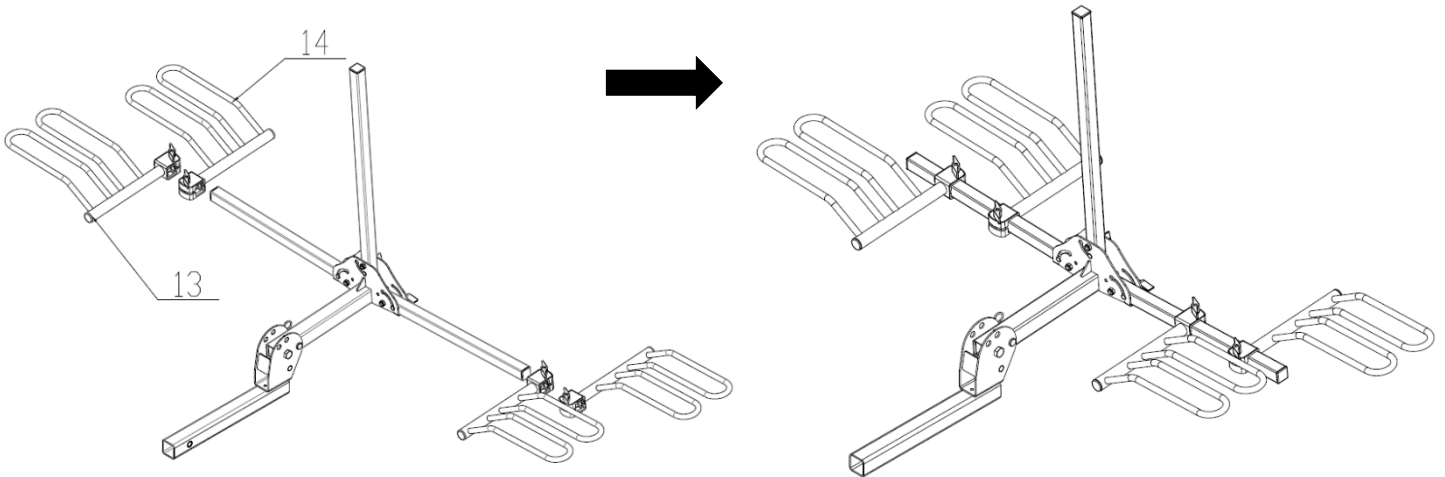
STEP 3 Attach Folding Shank (part #8) to Support Base Assembly tube, using M16 Bolt, M16 Locknut, $\frac{5}{8}$ " pin and Clip (parts #9, #12, #10 & #11) for added safety. See FIG. 3

FIG. 3



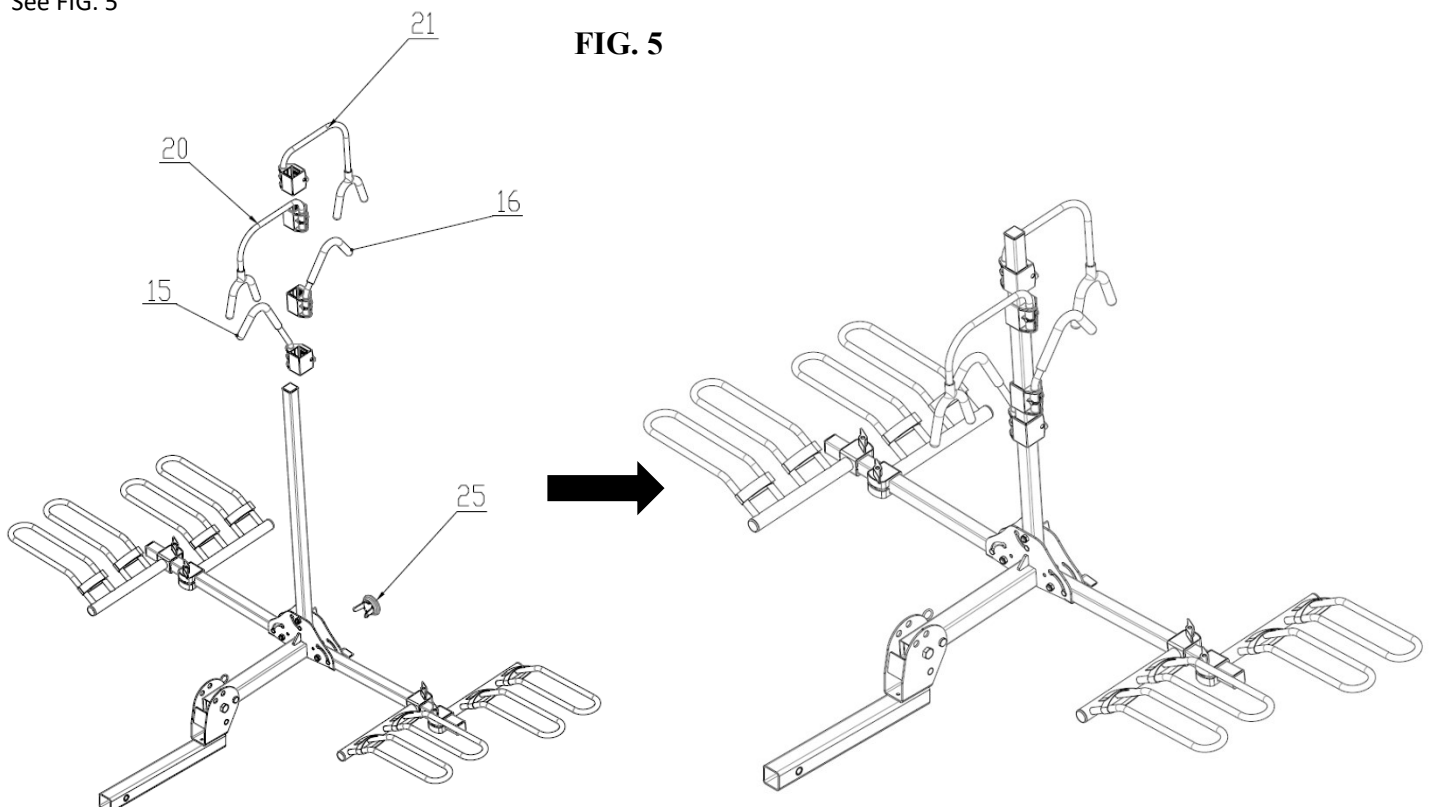
STEP 4 Slide the Left and Right Cradle Assemblies (parts #13 & #14) onto Horizontal Tubes. Release the knob of the left and right cradle. The knob should be facing up and the loop end of cradle should be facing outward and upward. Insert the cradles in sequence as shown below in Fig 4. After all 4 cradles are on the Horizontal Tubes, tighten. See FIG. 4

FIG. 4



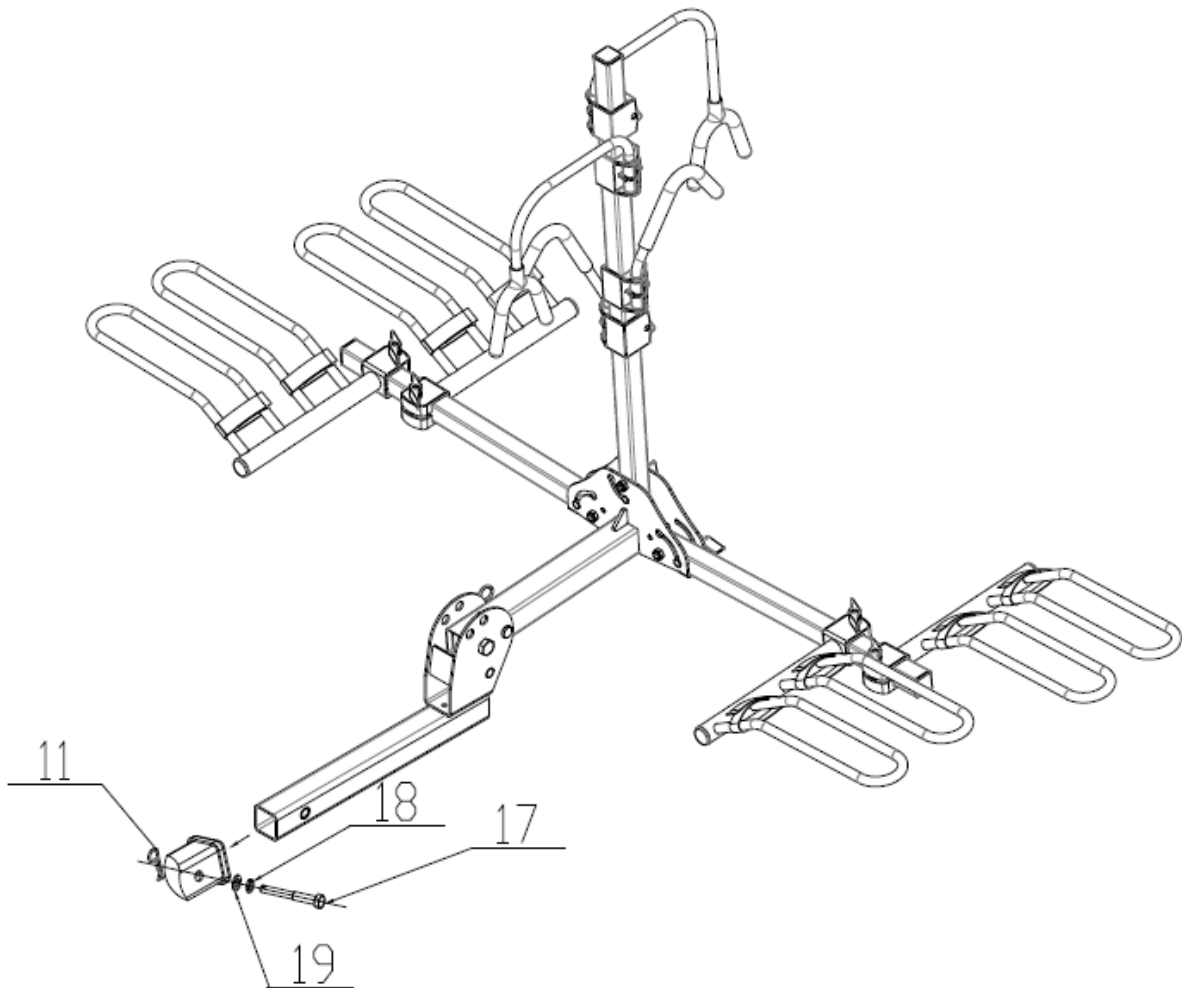
STEP 5 Install the Long J-Hook Assembly (part #15), Short J-Hook Assembly (part #16), Short Y-Hook Assembly (part #20) and Long Y-Hook Assembly (part #21) onto the Vertical Tube. Insert the Reflector (part #25) into the hole of the square tube. See FIG. 5

FIG. 5

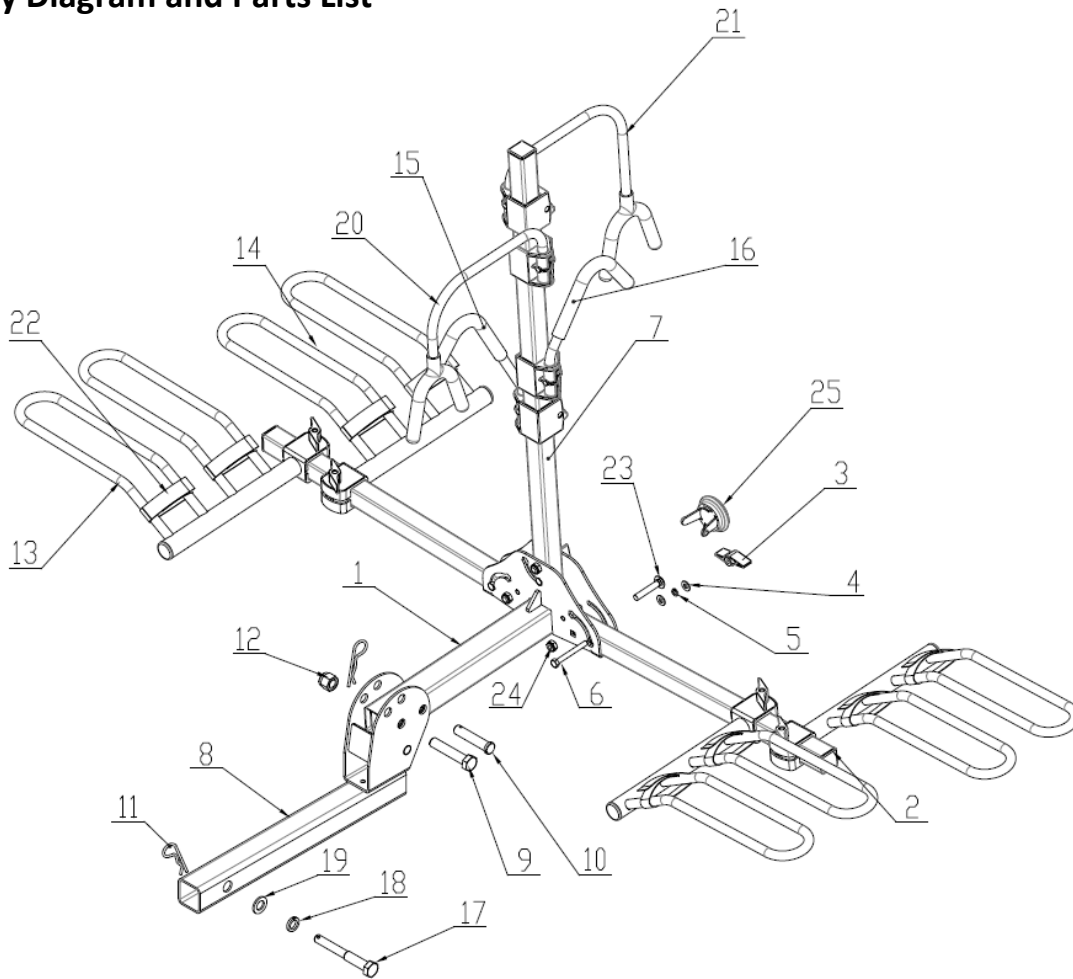


STEP 6 Insert Folding Shank into 2" receiver, using Stabilizing Pin, 16 Spring Washer, 16 Flat Washer, and Clip (parts #17, #18, #19 & #11) to secure. See FIG. 6

FIG. 6



Assembly Diagram and Parts List



Part#	Description	Qty	Part#	Description	Qty
1	Support Base Assembly	1	14	Right Cradle Assembly	2
2	Horizontal Tube	2	15	Long J-Hook Assembly	1
3	5/16" knob	3	16	Short J-Hook Assembly	1
4	5/16" flat washer	6	17	Stabilizing Pin	1
5	5/16" spring washer	3	18	16 Spring Washer	1
6	5/16" hexagon bolt	3	19	16 Flat Washer	1
7	Vertical Tube	1	20	Short Y-Hook Assembly	1
8	Folding Shank	1	21	Long Y-Hook Assembly	1
9	M16 Bolt	1	22	Wheel Cradle Strap	8
10	5/8" Pin	1	23	M10 carriage bolt	3
11	Clip	2	24	M10 Locknut	3
12	M16 Locknut	1	25	Reflector	1
13	Left Cradle Assembly	2			