

Item# ENT5004

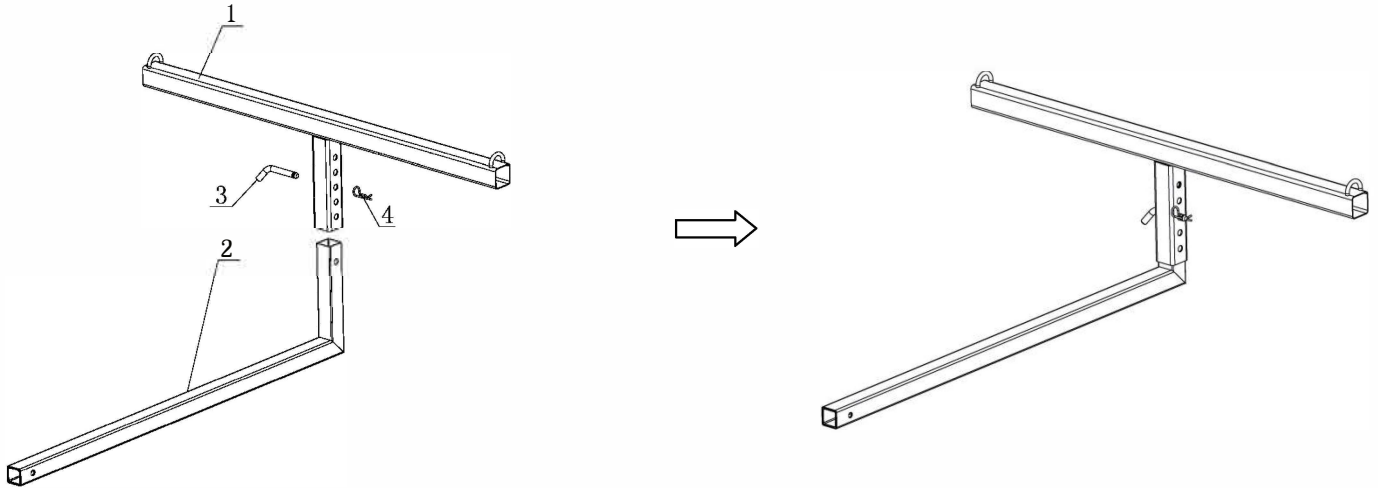
Truck Bed Extender 350lbs Capacity



Load Capacity	350 lbs.
Vehicle Hitch Receiver Size	2" (Vehicle hitch requires a Class III or Class IV tow rating.)
Hitch Pin Size	5/8" dia. (not include)



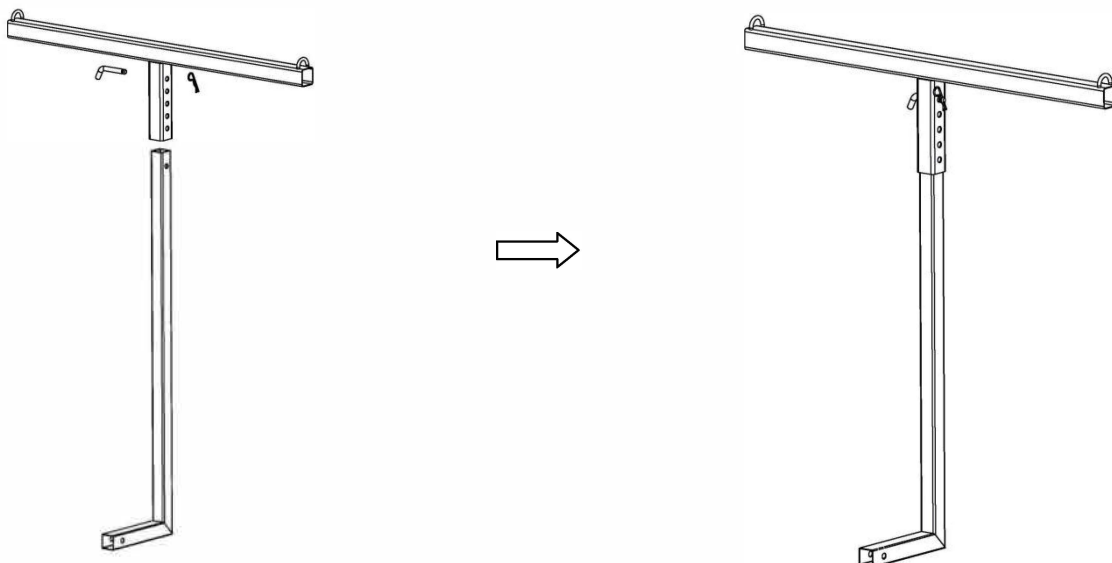
ASSEMBLY 1



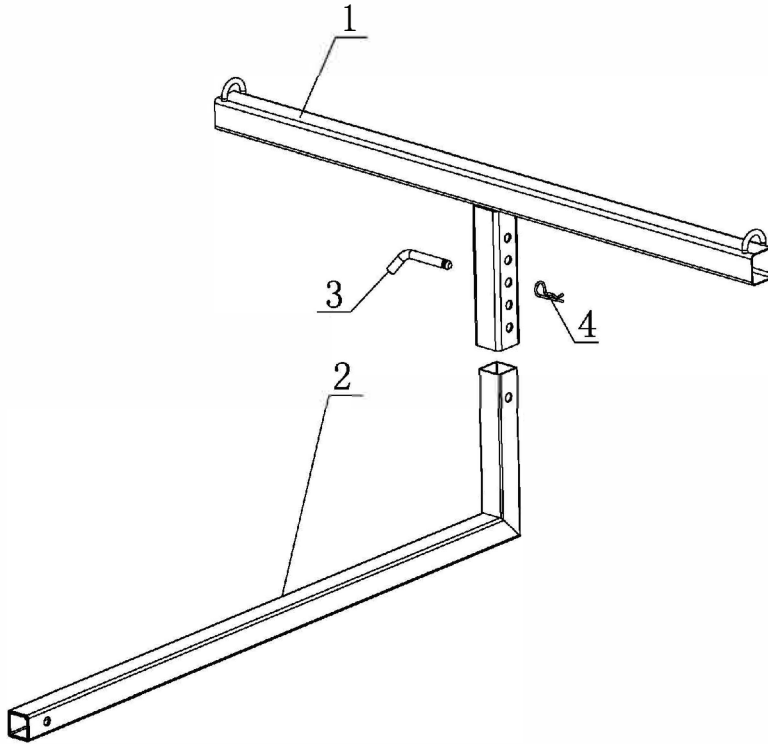
1. With the short end of the L-extension (2) facing up, slide it into the T-support (1);
2. The T-support (1) has 5 holes to change the height. Line up the hole on the T-support (1) with the desired hole on the L-extension (2);
3. Insert the pin lock (3) through the T-support (1) and the L-extension (2), secure with ϕ 3.8 cotter pin (4).
4. Pull on the L-extension (2) and the T-support (1) to make sure they are properly locked in place.

ASSEMBLY 2

Assembly 2 are all same with that of assembly 1 except that we change the connection side of L-extension (2) to be the long end for the T-support(1).



Diagram



Part List

Part#	Description	Q'ty	Part#	Description	Q'ty
1	T-support	1	3	1/2" 16 Pin	2
2	L-extension	1	4	3/8" Clip	2

Usage

Ideal for short-bed trucks, SUVs, vans, rhino/gators, and all other vehicles capable of hauling a load.

We recommend using your new Truck Bed Extender for the following:

- Lumber
- Canoes
- Extension ladders
- Oversized sheets of plywood and drywall
- Utilize it as an extended workspace/bench
- Throw a tailgate party
- Create additional space for your hunting gear and supplies
- The extender can be assembled two different ways, respectively with the long end or short the end of L-extension (2) connecting to the T-support(1)

