

Owner's Manual & Safety Instructions

Save This Manual Keep this manual for the safety warnings and precautions, assembly, operating, inspection, maintenance and cleaning procedures. Write the product's serial number in the back of the manual near the assembly diagram (or month and year of purchase if product has no number). Keep this manual and the receipt in a safe and dry place for future reference.



Enthuze Automotive Products
email: info@enthuze.ca
website: www.enthuze.ca

800 LBS CAPACITY UNIVERSAL ALUMINUM TRUCK RACK



ENT5088

When unpacking, make sure that the product is intact and undamaged.

⚠ WARNING

Read this material before using this product. Failure to do so can result in serious injury. **SAVE THIS MANUAL.**

IMPORTANT SAFETY INFORMATION

DANGER

Read all safety warnings and instructions.

Failure to follow the warnings and instructions may result in serious injury and death.

Save all warnings and instructions for future reference.

Installation Precautions

1. Follow DOT regulations regarding installation and use.
2. Park truck on a flat, level, hard surface well away from traffic. Place transmission in park/neutral and set parking brake.
3. Verify that installation surface has no hidden wires before drilling or driving screws.
4. Install only according to these instructions. Improper installation can create hazards.
5. Wear ANSI-approved safety goggles and heavy-duty work gloves during assembly and installation.
6. Mount Truck Rack securely to vehicle.
7. Keep installation area clean and well lit.
8. Keep bystanders out of the area during installation.
9. Do not install when tired or when under the influence of drugs or medication.
10. Weight capacity and other product capabilities apply to properly and completely installed product only.

Use Precautions

1. Do not exceed vehicle manufacturer's load limits. Ensure rack is securely installed on truck prior to driving. Load must be evenly distributed and secured to rack prior to driving. Follow vehicle manufacturer guidance regarding potential instability while driving with added load. Use 800 lb. rated weight capacity only for slow speed on level ground with gradual starting and stopping only. Significantly reduce weight before turning, accelerating, braking, or moving at normal roadway speed.
2. Do not exceed rated weight capacity of truck. Refer to truck's Gross Vehicle Weight Rating.
3. Avoid low overhangs. Be aware of combined height of vehicle, rack, and load.
4. Secure and transport large flat loads correctly to prevent them from being forced upward or backward. Larger loads need to be transported more slowly and secured more carefully.
5. Use as intended only.
6. Inspect before every use; do not use if parts loose or damaged.
7. This product is not a toy. Do not allow children to play with or near this item.
8. Maintain product labels and nameplates. These carry important safety information. If unreadable or missing, contact Harbor Freight Tools for a replacement.
9. The warnings, precautions, and instructions discussed in this instruction manual cannot cover all possible conditions and situations that may occur. It must be understood by the operator that common sense and caution are factors which cannot be built into this product, but must be supplied by the operator.



SAVE THESE INSTRUCTIONS.

Specifications

Load Capacity	800 lb
Weight	42.5 lb

Dimensions	70-1/8" L x 13-13/16" W x 34" H
------------	---------------------------------

Assembly

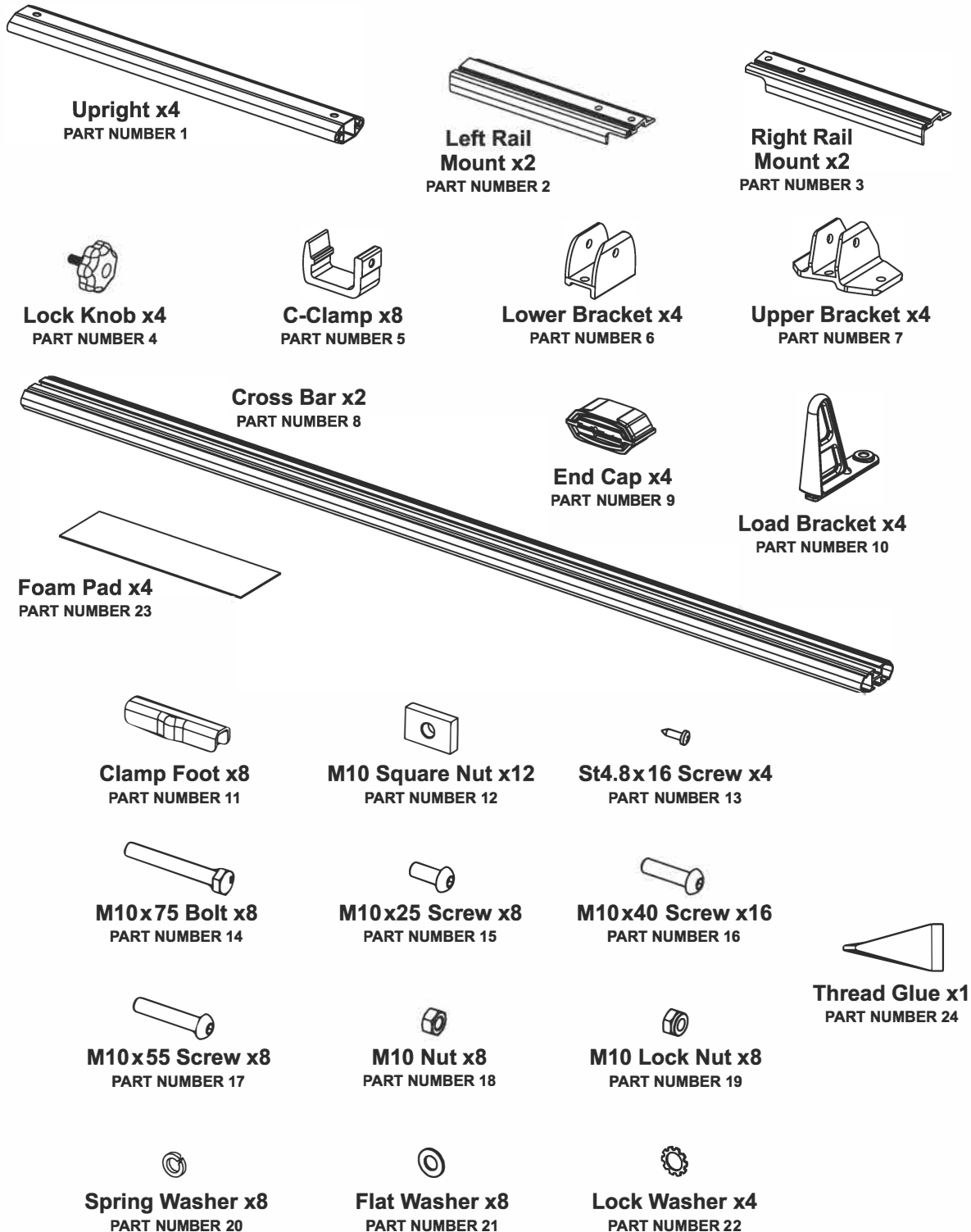


Read the **ENTIRE IMPORTANT SAFETY INFORMATION** section at the beginning of this manual including all text under subheadings therein before set up or use of this product.

General Assembly

Note: Assemble on a flat, level, hard surface. For additional information regarding the parts listed in the following pages, refer to *Parts List and Diagram* on page 9.

Components

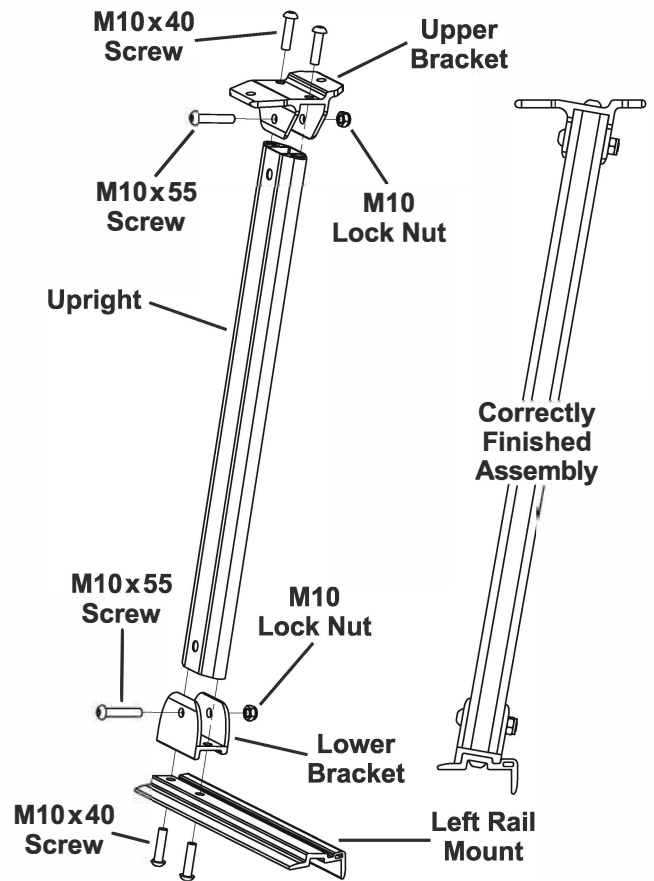


Left and Right Upright Assembly

1. Connect an Upper Bracket (7) to an Upright (1) using two M10x40 Screws (16). Apply provided threadlock to the Screws before installing.
2. Insert an M10x55 Screw (17) through the Upper Bracket and Upright. Secure in place with an M10 Lock Nut (19).
3. Connect a Left Rail Mount (2) and Lower Bracket (6) to the Upright using two M10x40 Screws. Apply provided threadlock to the Screws before installing.

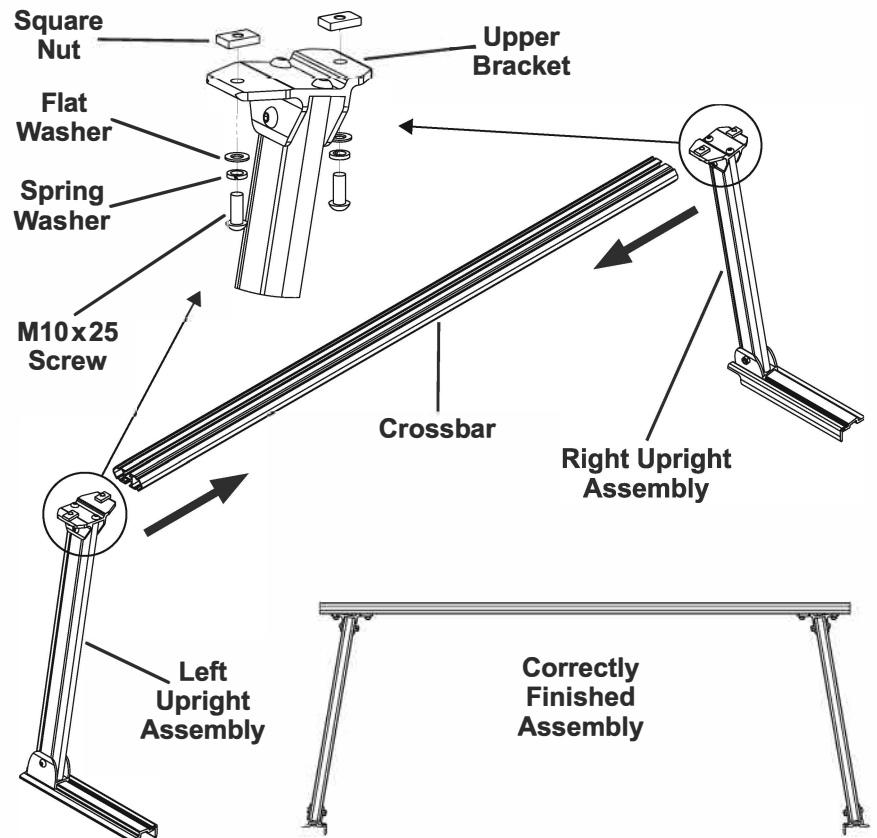
Note: Make sure the Upper Bracket and Rail Mount are aligned in parallel as shown.

4. Insert an M10x55 Screw through the Lower Bracket and Upright. Secure in place with an M10 Lock Nut.
5. Repeat steps 1 through 4 to complete the second Left Upright Assembly.
6. To complete the two Right Upright Assemblies, follow steps 1 through 4 with the following exception: Use the two Right Rail Mounts (3) in place of the Left Rail Mounts.



Crossbar Assembly

1. Insert two M10x25 Screws (15) through a Spring Washer (20) and Flat Washer (21), then through two holes in the Upper Bracket. Thread each Screw into an M10 Square Nut (12). Finger tighten the connections and leave loose.
2. Repeat step 1 for each Upright Assembly.
3. Insert a Left and Right Upright Assembly into the Crossbar (8).
4. Repeat step 3 for the remaining Crossbar and Left and Right Upright Assemblies.



Installation



Read the **ENTIRE IMPORTANT SAFETY INFORMATION** section at the beginning of this manual including all text under subheadings therein before set up or use of this product.

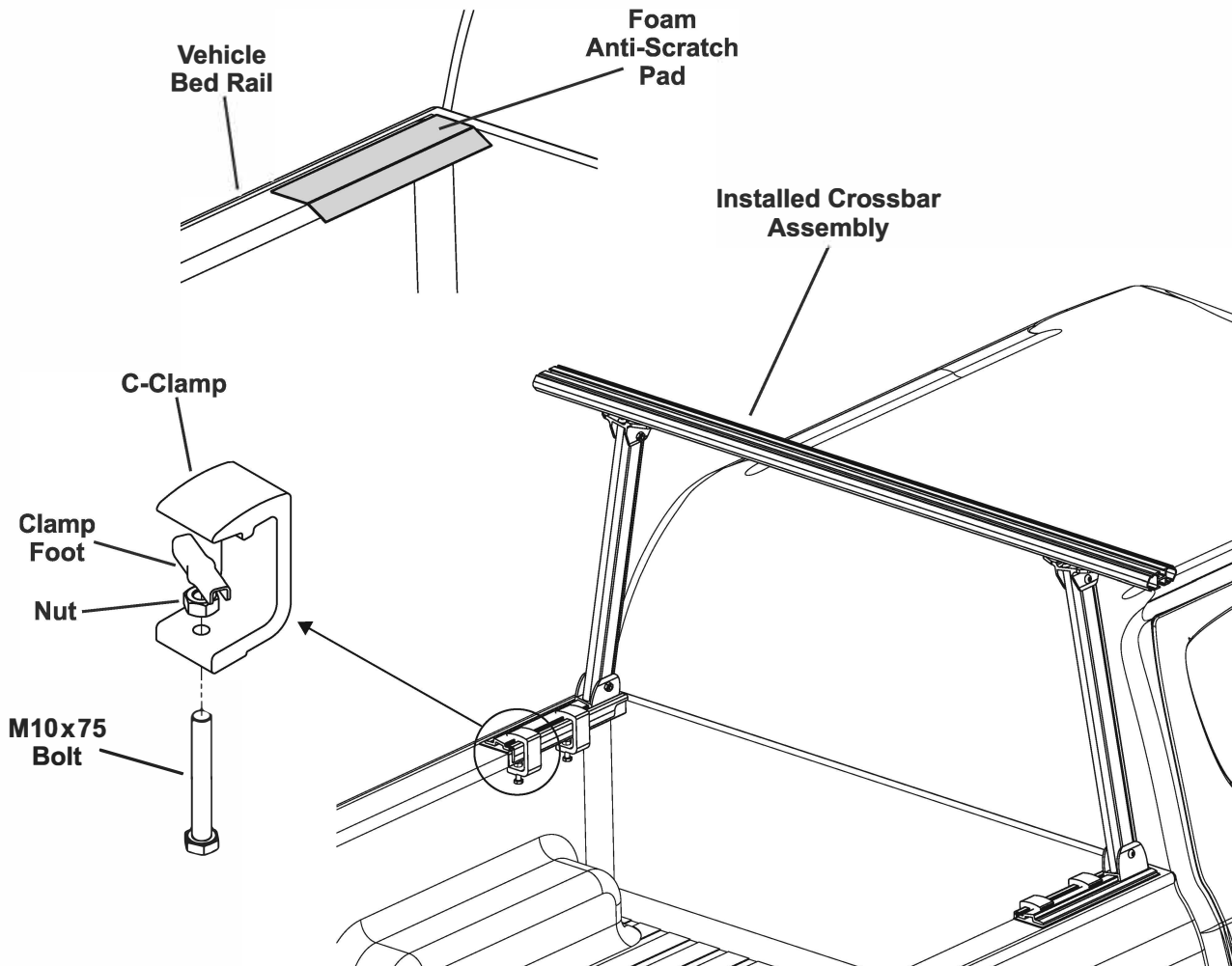
WARNING

TO PREVENT SERIOUS INJURY DURING INSTALLATION:

Park truck on a flat, level, hard surface well away from traffic. Place transmission in park/neutral and set parking brake.

Truck Installation

1. Place the Foam Anti-Scratch Pads (23) onto the vehicle bed rails where the rack will be installed.
2. Prepare the eight Clamp Assemblies as shown using one C-Clamp (5), M10x75 Bolt (14), Nut (18), and Clamp Foot (11) per Assembly.
3. **With assistance**, place one side of a Crossbar Assembly on the bed rails of the truck, and position the other Upright on the other bed rail.
4. Install two Clamp Assemblies on each Rail Mount. Position the Clamps at least 4" apart.
5. Tighten the Bolts securely and tighten the Nut against the C-Clamp to lock in place.
6. With the Rail Mounts secure to the bed rail, position the Crossbar so there is equal overhang on each side.
7. Tighten the M10x25 Crossbar Screws securely.
8. Repeat steps 3 through 7 for the second Crossbar Assembly.



Load Bracket Installation

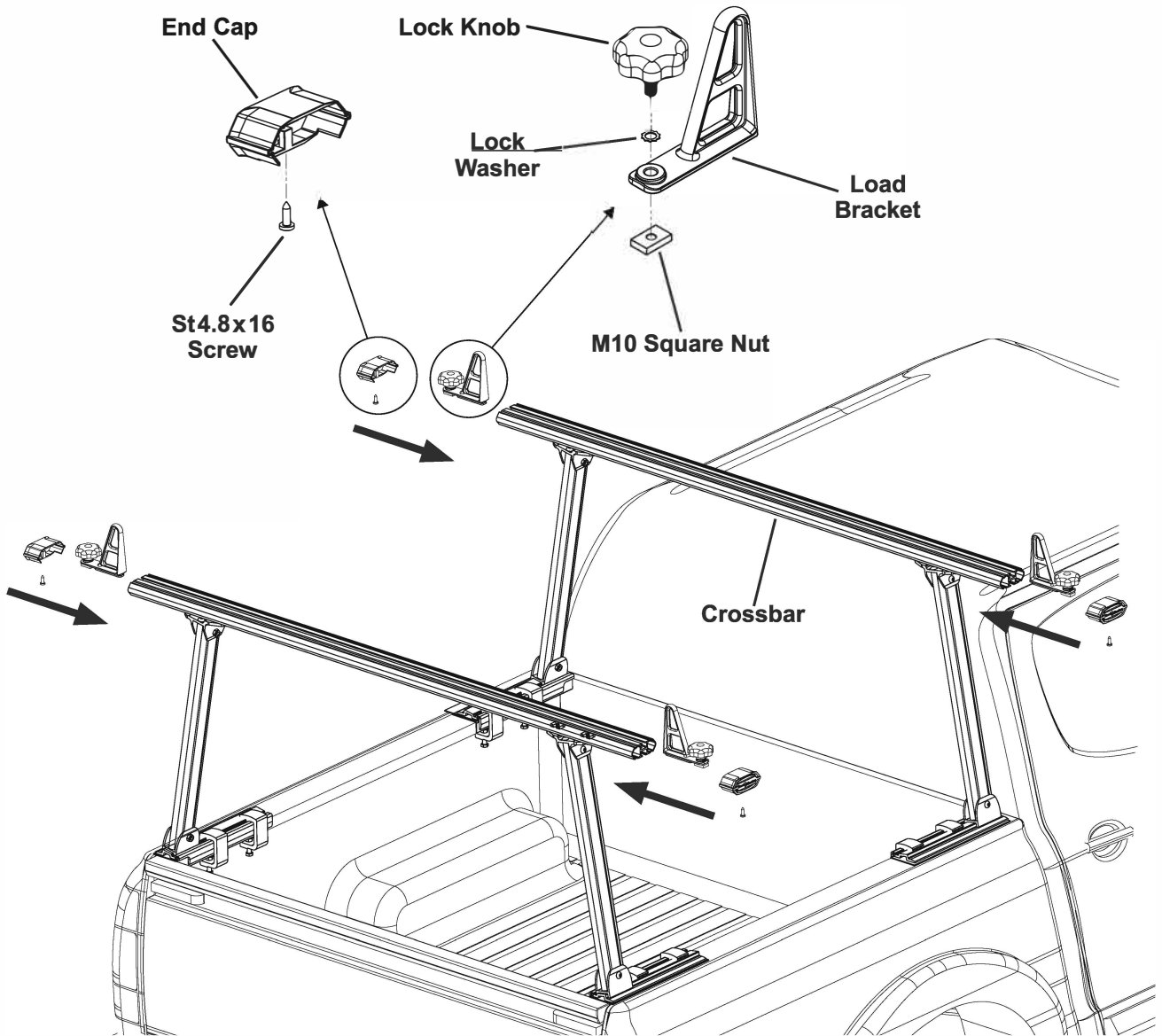
SAFETY

SETUP

INSTALLATION

MAINTENANCE

1. Prepare the four Load Bracket Assemblies using one Lock Knob (4), Lock Washer (22), Load Bracket (10), and M10 Square Nut (12) per Assembly.
2. Thread the Lock Knob through the Lock Washer and Load Bracket into the M10 Square Nut as shown. Do not fully tighten the Lock Knob at this time.
3. Slide the Square Nut and Load Bracket Assemblies into the ends of the Crossbars, and tighten the Lock Knobs to secure each Bracket.
4. Slide the End Caps (9) onto the ends of both Crossbars and secure in place using St4.8x16 Screws (13).
5. Double check all screws and bolts for tightness before use.



Maintenance and Servicing



Procedures not specifically explained in this manual must be performed only by a qualified technician.

WARNING

TO PREVENT SERIOUS INJURY FROM TRUCK RACK FAILURE:

Do not use damaged equipment. If Truck Rack is damaged or if abnormal noise or vibration occurs, have the problem corrected before further use.

1. **BEFORE EACH USE**, inspect the general condition of the Truck Rack. Check for:
 - loose hardware
 - misalignment or binding of moving parts
 - cracked or broken parts
 - any other condition that may affect its safe operation.
2. **AFTER USE**, wipe external surfaces of the Truck Rack with clean cloth.

PLEASE READ THE FOLLOWING CAREFULLY

THE MANUFACTURER AND/OR DISTRIBUTOR HAS PROVIDED THE PARTS LIST AND ASSEMBLY DIAGRAM IN THIS DOCUMENT AS A REFERENCE TOOL ONLY. NEITHER THE MANUFACTURER OR DISTRIBUTOR MAKES ANY REPRESENTATION OR WARRANTY OF ANY KIND TO THE BUYER THAT HE OR SHE IS QUALIFIED TO MAKE ANY REPAIRS TO THE PRODUCT, OR THAT HE OR SHE IS QUALIFIED TO REPLACE ANY PARTS OF THE PRODUCT. IN FACT, THE MANUFACTURER AND/OR DISTRIBUTOR EXPRESSLY STATES THAT ALL REPAIRS AND PARTS REPLACEMENTS SHOULD BE UNDERTAKEN BY CERTIFIED AND LICENSED TECHNICIANS, AND NOT BY THE BUYER. THE BUYER ASSUMES ALL RISK AND LIABILITY ARISING OUT OF HIS OR HER REPAIRS TO THE ORIGINAL PRODUCT OR REPLACEMENT PARTS THERETO, OR ARISING OUT OF HIS OR HER INSTALLATION OF REPLACEMENT PARTS THERETO.

SAFETY

SETUP

INSTALLATION

MAINTENANCE

Parts List

Part	Description	Qty
1	Upright	4
2	Left Rail Mount	2
3	Right Rail Mount	2
4	M10 Lock Knob	4
5	C-Clamp	8
6	Lower Bracket	4
7	Upper Bracket	4
8	Cross Bar	2
9	End Cap	4
10	Load Bracket	4
11	Clamp Foot	8
12	M10 Square Nut	12

Part	Description	Qty
13	St4.8x16 Pan Head Tapping Screw	4
14	M10x75 Hex Head Bolt	8
15	M10x25 Button Head Screw	8
16	M10x40 Button Head Screw	16
17	M10x55 Button Head Screw	8
18	M10 Nut	8
19	M10 Lock Nut	8
20	10 Spring Washer	8
21	10 Flat Washer	8
22	10 Lock Washer	4
23	Foam Pad	4
24	Thread Glue	1

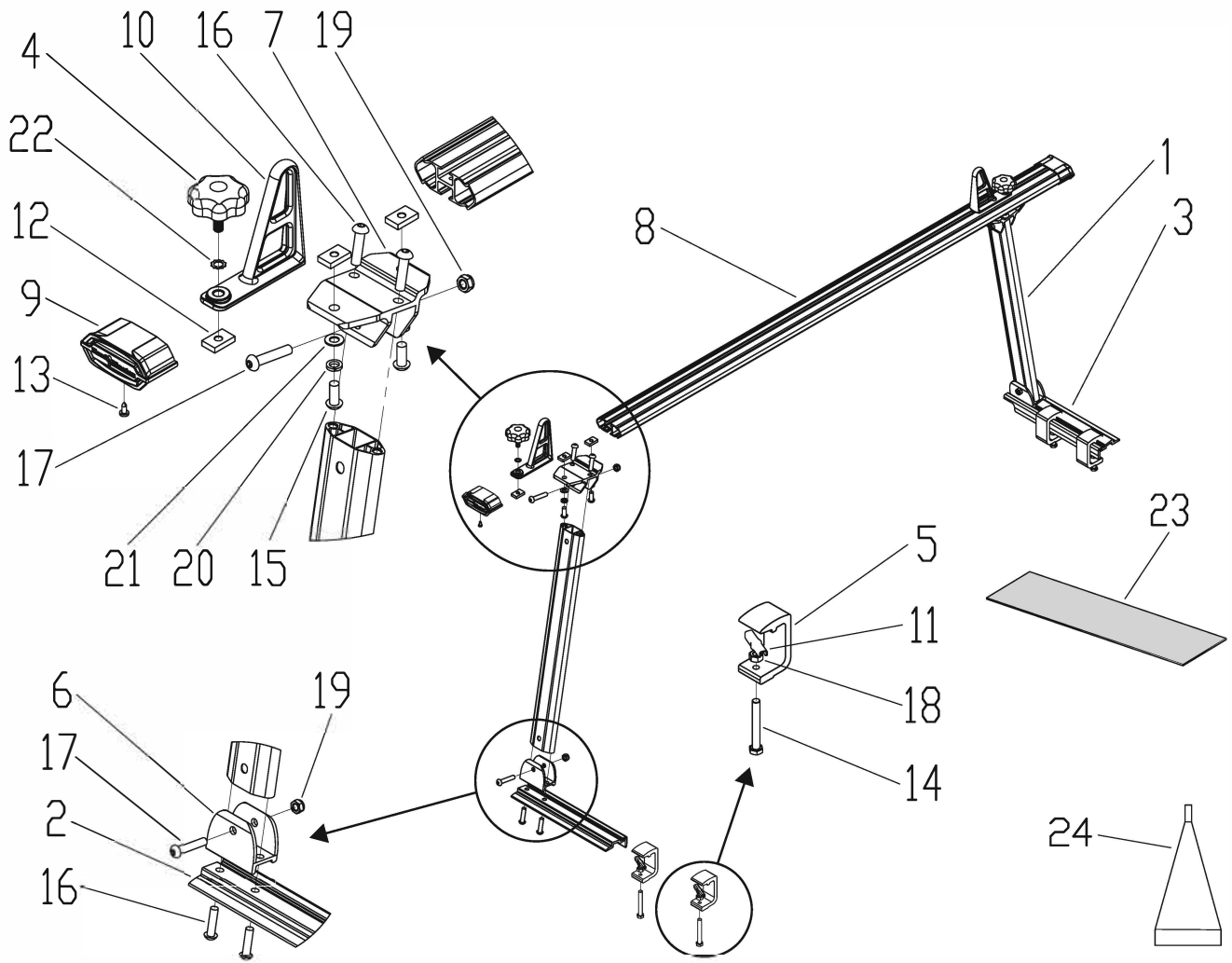
SAFETY

SETUP

INSTALLATION

MAINTENANCE

Assembly Diagram



SAFETY

SETUP

INSTALLATION

MAINTENANCE