



Enthuze Automotive Products

email: info@enthuze.ca
website: www.enthuze.ca

FULL SIZE STEEL TRUCK RACK

Owner's Manual



⚠ WARNING: Read carefully and understand all ASSEMBLY AND OPERATION INSTRUCTIONS before operating. Failure to follow the safety rules and other basic safety precautions may result in serious personal injury.

Item # ENT5094

SAVE THESE INSTRUCTIONS

Table of Contents

Intended Use	3
Technical Specifications	3
Important Safety Information	3
Specific Operation Warnings	4
Assembly Instructions	5
Operating Instructions	9
Maintenance	10
Parts Diagram	10
Parts List	10

Intended Use

The CargoMaster 4 Post Steel Truck Rack installs in 10 minutes or less using basic hand tools. The no-drill C-clamps and gold zinc-plated hardware add maximum strength and durability. In addition, the 2" powder-coated steel tubing construction won't rust and shoulders up to 1,000-lbs. of cargo. Each post includes 1 Y-hook and 2 tie-downs so hauling extra long loads is no problem.

Technical Specifications

Property	Specification
Rated Capacity (lb.)	1,000
Material	Steel
Length (inches)	131.4
Max Width (inches)	71.9
Height (inches)	39.6

Important Safety Information

WARNING

- Read and understand all instructions. Failure to follow all instructions may result in serious injury or property damage.
- The warnings, cautions, and instructions in this manual cannot cover all possible conditions or situations that could occur. Exercise common sense and caution when using this truck rack. Always be aware of the environment and ensure that the truck rack is used in a safe and responsible manner.
- Do not allow persons to operate or assemble the truck rack until they have read this manual and have developed a thorough understanding of how it works.
- Do not modify this truck rack in any way. Unauthorized modification may impair the function and/or safety and could affect the life of the truck rack. There are specific applications for which the product was designed.
- Use the right tool for the job. DO NOT attempt to force small equipment to do the work of larger industrial equipment. There are certain applications for which this equipment was designed. It will be a safer experience and do the job better at the capacity for which it was intended. DO NOT use this truck rack for a purpose for which it was not intended.
- Industrial or commercial applications must follow OSHA requirements.

WARNING

WORK AREA SAFETY

- Inspect the work area before each use. Keep work area clean, dry, free of clutter, and well-lit. Cluttered, wet, or dark work areas can result in injury. Using the truck rack in confined work areas may put you dangerously close to cutting tools and rotating parts.
- Keep children and bystanders away from the work area while operating the truck rack. Do not allow children to handle the truck rack.

WARNING

PERSONAL SAFETY

- Stay alert, watch what you are doing, and use common sense when operating the truck rack. Do not use the truck rack while you are tired or under the influence of drugs, alcohol, or medication. A moment of inattention while operating the truck rack may result in serious personal injury.
- Dress properly. Do not wear loose clothing, dangling objects, or jewelry. Keep your hair, clothing and gloves away from moving parts. Loose clothes, jewelry, or long hair can be caught in moving parts. Air vents on the tool often cover moving parts and should be avoided.
- Wear the proper personal protective equipment when necessary. Use ANSI Z87.1 compliant safety goggles (not safety glasses) with side shields, or when needed, a face shield. Use a dust mask in dusty work conditions. Also use non-skid safety shoes, hardhat, gloves, dust collection systems, and hearing protection when appropriate. This applies to all persons in the work area.
- Do not overreach. Keep proper footing and balance at all times.

CAUTION

TRUCK RACK USE AND CARE

- Do not modify the truck rack in any way. Unauthorized modification may impair the function and/or safety and could affect the life of the equipment. There are specific applications for which the truck rack was designed.
- Always check for damaged or worn out parts before using the truck rack. Broken parts will affect the truck rack's operation. Replace or repair damaged or worn parts immediately.
- Store an idle truck rack. When the truck rack is not in use, store it in a secure place out of the reach of children. Inspect it for good working condition prior to storage and before re-use.

Specific Operation Warnings

WARNING

- To prevent serious injury or property damage, read and understand owner's manual before operating.
- Follow all federal DOT and any applicable state laws and regulations for installation and use.
- Ensure vehicle tail lights are not obstructed by the carrier or the load.
- Turn vehicle's ignition OFF, set parking brake, and chock wheels before installing.
- Prior to transporting a load, make sure the truck rack is secured. The load itself must also be properly secured to the carrier.
- Distribute weight evenly on truck rack and load heaviest items toward the center.
- Be aware of dynamic loading! Sudden load movement may briefly create excess load causing product failure.

- Be aware of openings and use larger containers that will not fall through gaps in the carrier's framework.
- Do not carry loads that are wider or deeper than the rack. Always keep loads inside the rim of the rack.
- Do not use to transport people or animals.
- When transporting a scooter, use wheel chocks to prevent rolling.

Assembly Recommended Tools:



Open Wrench
(1pc)
Size = 19mm

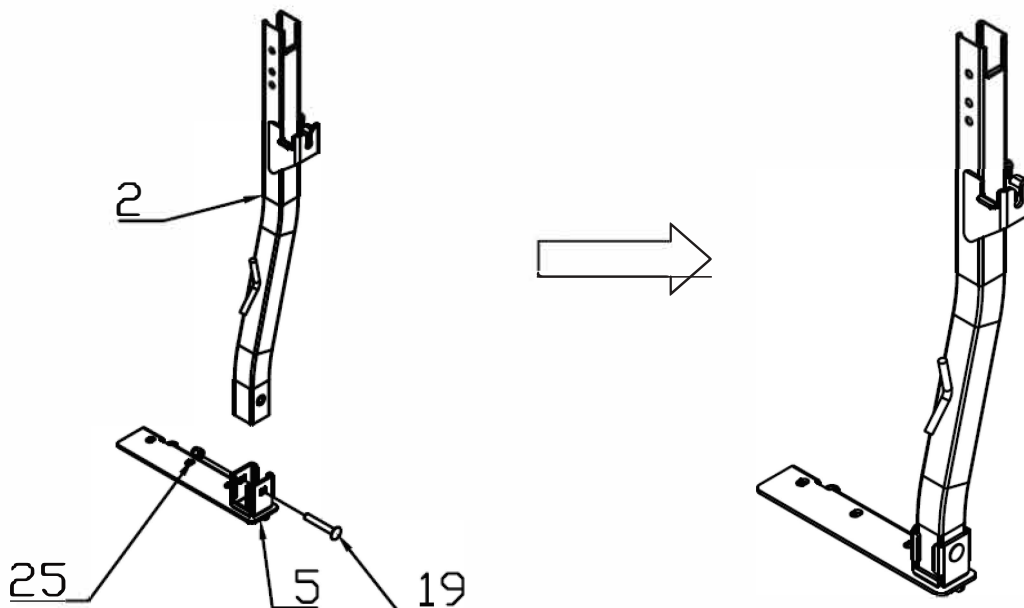


Open Wrench
(1pc)
Size = 17mm

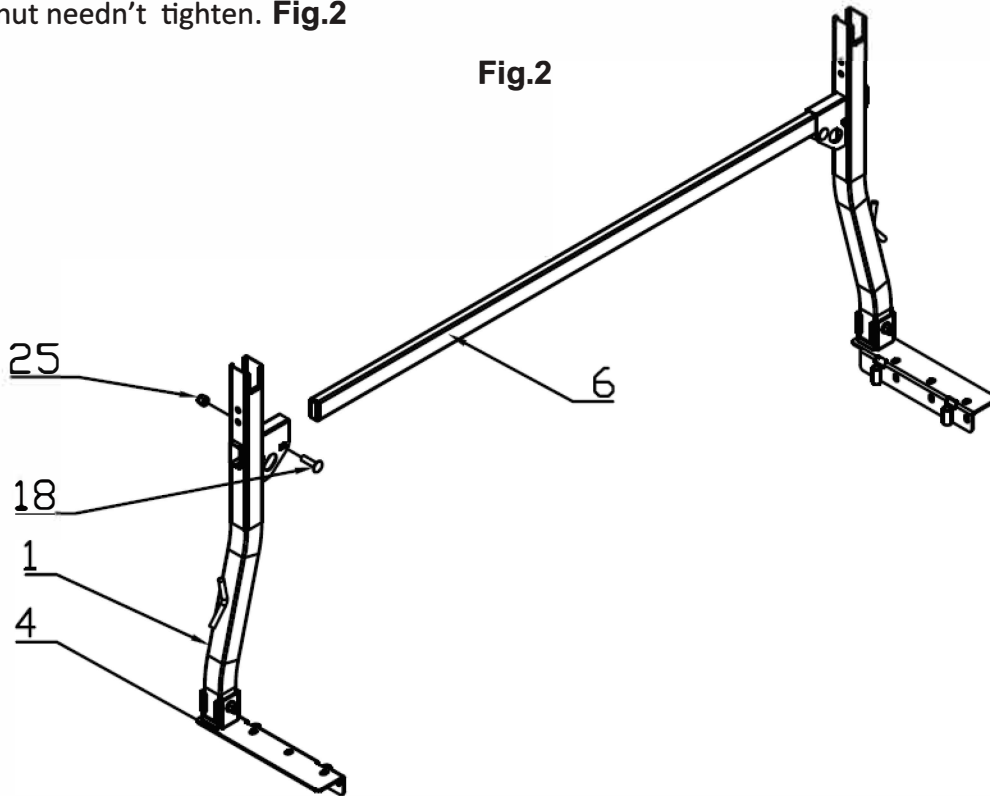
Assembly Instructions

Step 1 Place rear left support (2) on the left fixed plate(4) (Note the direction shown in fig 1), though Rear left support(2), and the left fixed plate(4) with M12x75 Carriage bolt(19) and screw tighten with M12 Locking nut(25). Use the same way to install the rear right support(3), right fixed plate(5), front support(1), left fixed plate(4) and right fixed plate(5). **Fig.1**

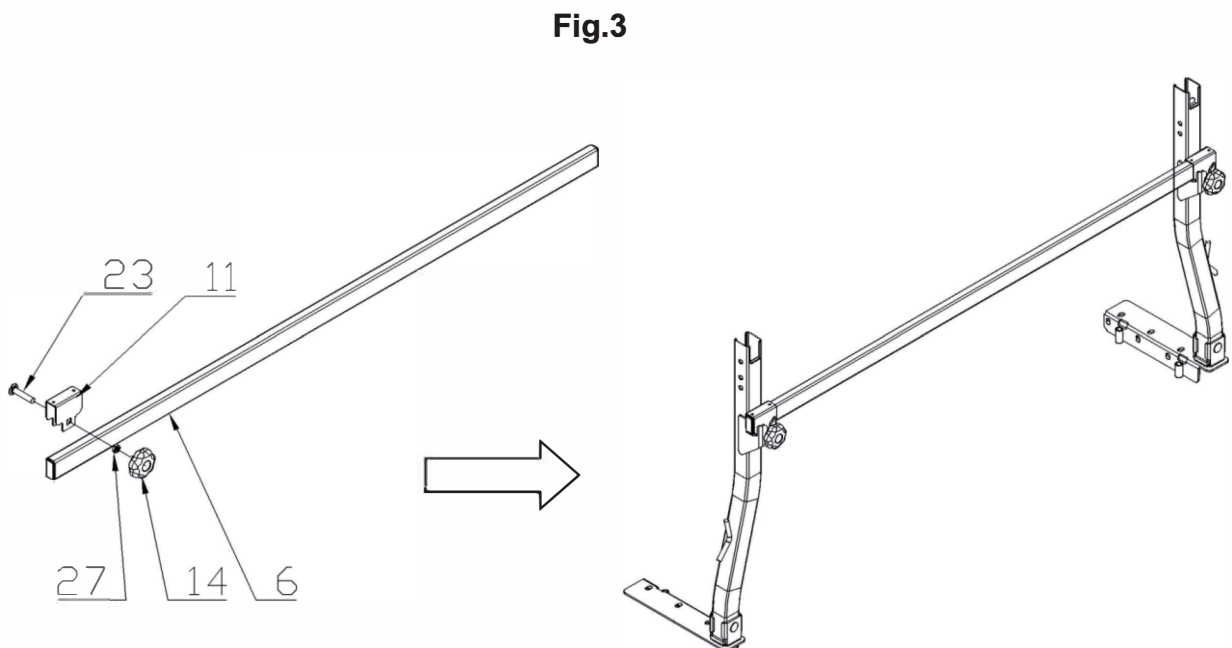
Fig.1



STEP 2 Though the square hole of front support (1) with M12x45 Carriage bolt(18) and screw the M12 Locking nut (25), and insert the cross bar (6)to the assembled support bar step1, nut needn't tighten. **Fig.2**

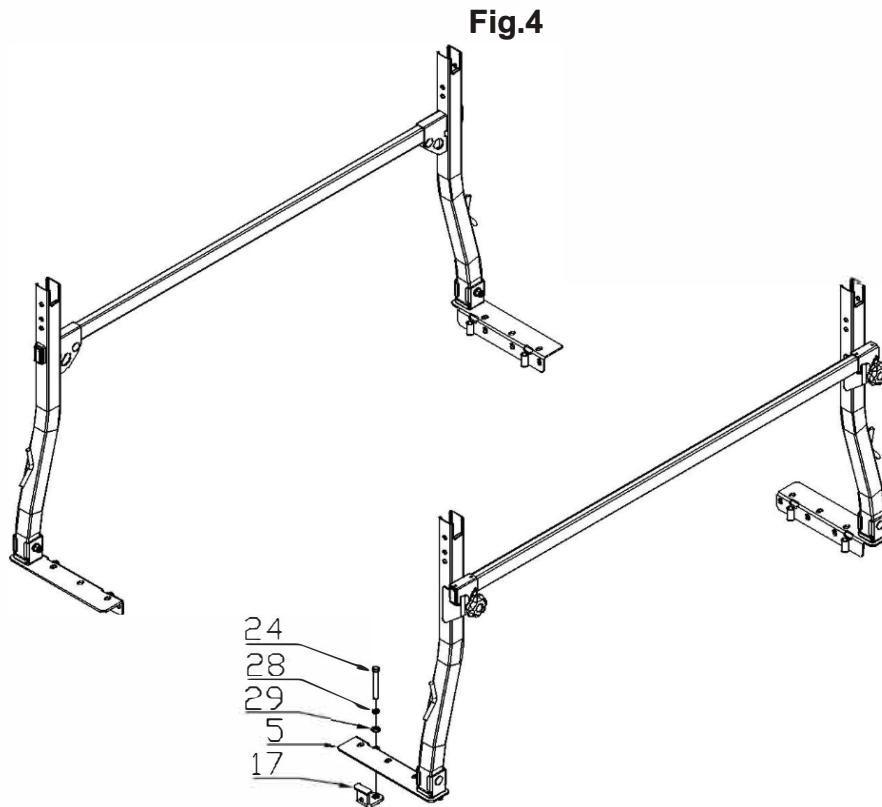


STEP 3 Cover the connecting plate(11) on the cross bar(6), and though the square hole of connecting plate(11) with M12x70 Carriage bolt(23), screw the M12 Hex nut (27), nut needn't tighten. And then screw the M12 Hand wheel(14).After installing, place it on left and right support. **Fig.3**

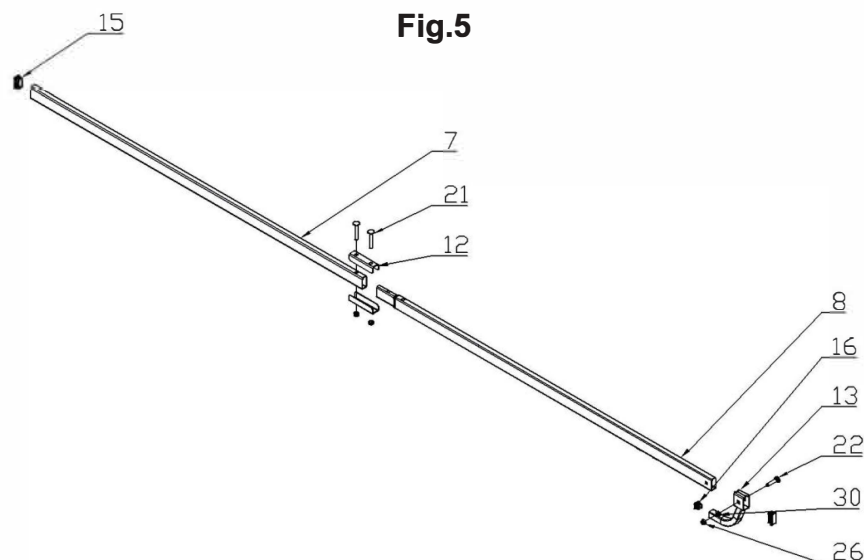


STEP 4.

Place the component of step 2&3 on the truck rack, though the 12 spring washer(28), 12 washer(29), the hole of fixed plate, screw the L-Clamp(17), install 8pcs on the left and right and screw. If L-Clamp(17) is not suitable for truck rack, The fixed plate has reserved mounting holes. **Fig.4**

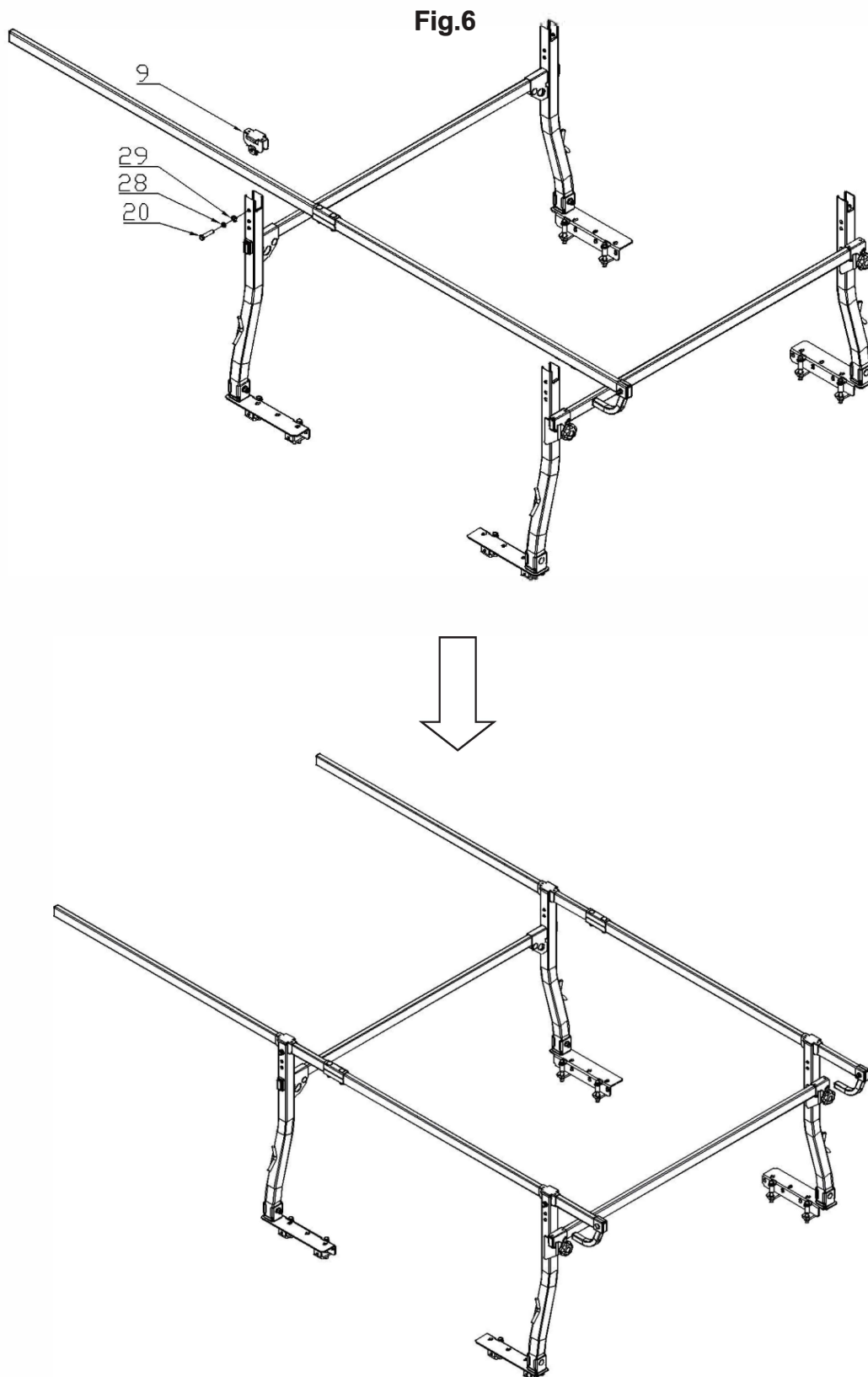


STEP 5 Insert the rear vertical bar(8)into square hole of front vertical bar(7), though the clamp(12) front &rear vertical bar with 2pcs of M10x70 Hex head cap screw and screw M10 Locking nut (26)with another clamp (12). Cover the handle (13)into rear vertical bar(8), though handle(13) and square hole of rear vertical bar(8) with M10x45 Carriage bolt(22) and 10washer(30), screw tighten the M10 Locking nut(26). Cover the End cap(15)on the both sides. **Fig.5**

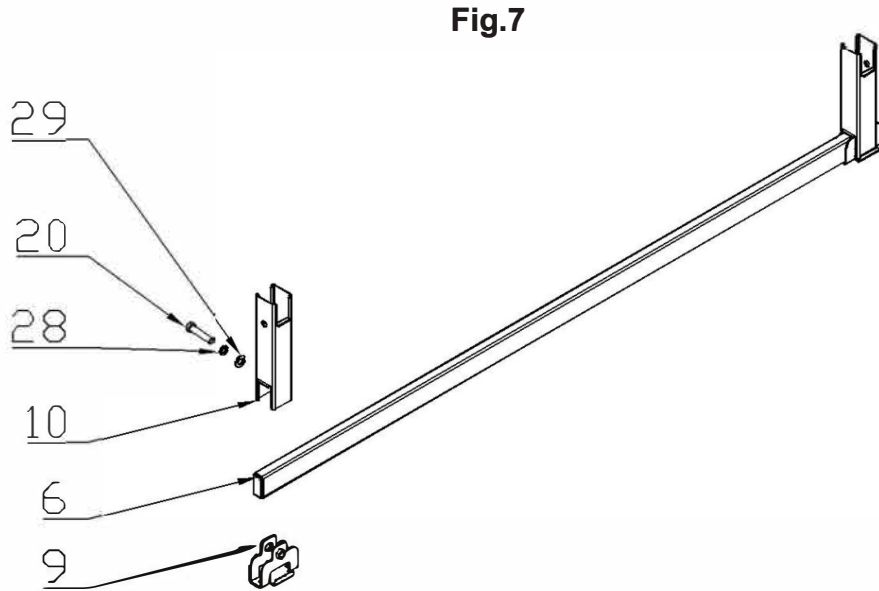


STEP 6.

Place the component of step6 on the support, insert Connecting buckle(9), the thread direction is inwards. And though 12 spring washer(28) 12 washer(29)on the top hole of support with M12x55 Hex head cap screw(20), screw on the connecting buckle(9). Install and tighten bolts for each support. **Fig.6**



STEP7 Insert connecting pole(10) on the cross bar (6), the same way as step 6 to install.
Fig.7



STEP8 Place the component of step 7 on the front of truck rack or where you need install. the same way as step 6 to install, screw tighten.

Operating Instructions

⚠ WARNING

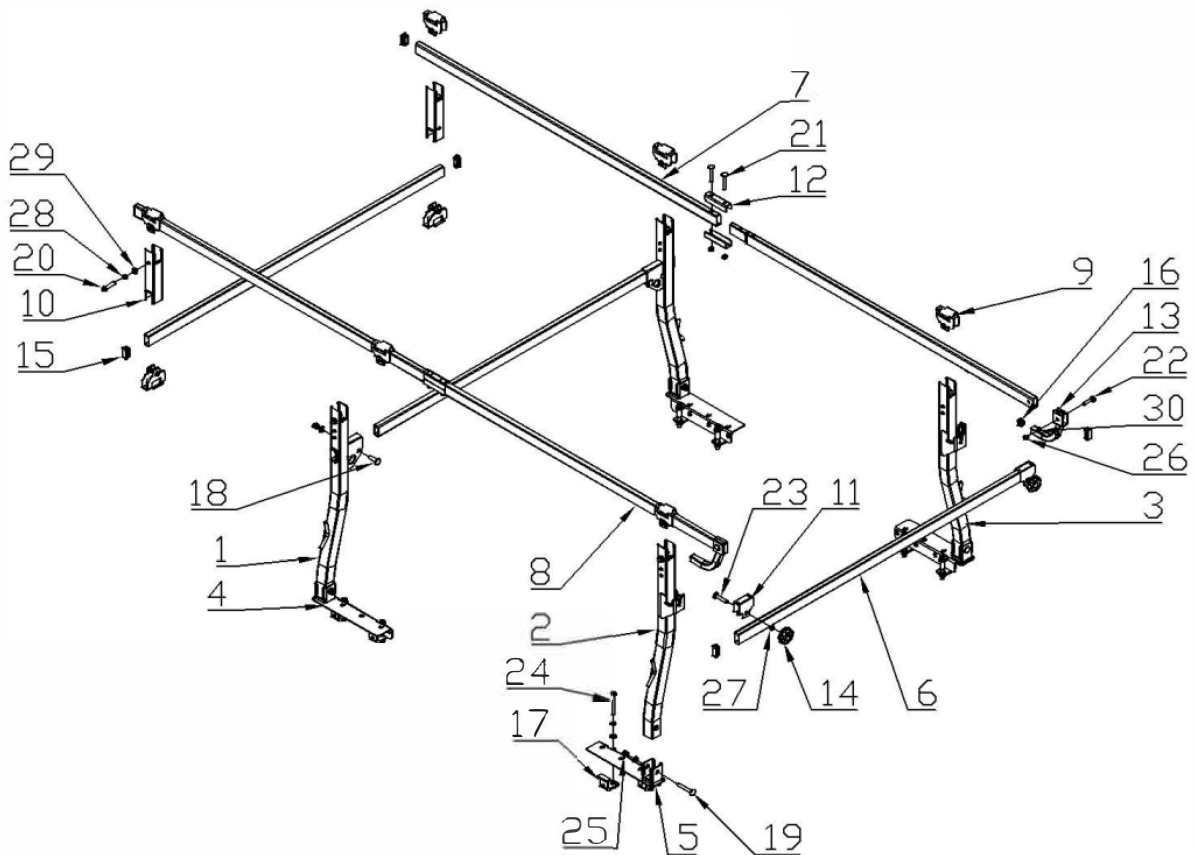
- Follow all federal DOT and any applicable state laws and regulations for installation and use.
- Prior to transporting a load, make sure the rack is secured. The load itself must also be properly secured to the carrier.
- Distribute weight evenly on truck rack and load heaviest items toward the center.
- Be aware of dynamic loading! Sudden load movement may briefly create excess load causing product failure.
- Be aware of openings and use larger containers that will not fall through gaps in the carrier's framework.
- Do not carry loads that are wider or deeper than the rack. Always keep loads inside the rim of the rack.
- Do not use to transport people or animals.
- When transporting a scooter, use wheel chocks to prevent rolling.

With assistance, place items to be loaded onto the rack. Make sure the load is equally balanced on the rack. Secure the load in place using appropriate tie-downs, ropes, flags, etc. (not included).









Maintenance























- Maintain the truck rack with care. Inspect periodically, and if damaged, have it repaired by an authorized technician.
- For your safety, maintenance should be performed regularly by a qualified technician.

Parts Diagram



Parts List

Item#	Description	Picture	Quantity	Item#	Description	Picture	Quantity
1	Front support		2	16	Block		2
2	Rear left support		1	17	L-Clamp		8
3	Rear right support		1	18	M12x45 Carriage bolt		2
4	Left fixed plate		2	19	M12x75 Carriage bolt		4

5	Right fixed plate		2	20	M12x55 Hex head cap screw		8
6	Cross bar		3	21	M10x70 Hex head cap screw		4
7	Front vertical bar		2	22	M10x45 Carriage bolt		2
8	Rear vertical bar		2	23	M12x70 Carriage bolt		2
9	Connecting buckle		8	24	M12x100Hex head cap screw		8
10	Connecting pole		2	25	M12 Locking nut		6
11	Connecting plate		2	26	M10 Locking nut		6
12	Clamp		4	27	M12 Hex nut		2
13	Handle		2	28	12 Spring washer		16
14	M12 Hand wheel		2	29	12 Washer		16
15	End cap		10	30	10 washer		2